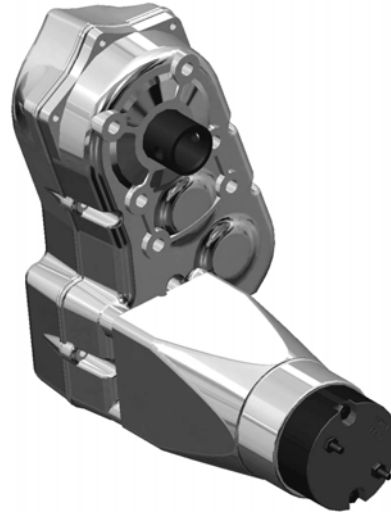


TaskMaster™

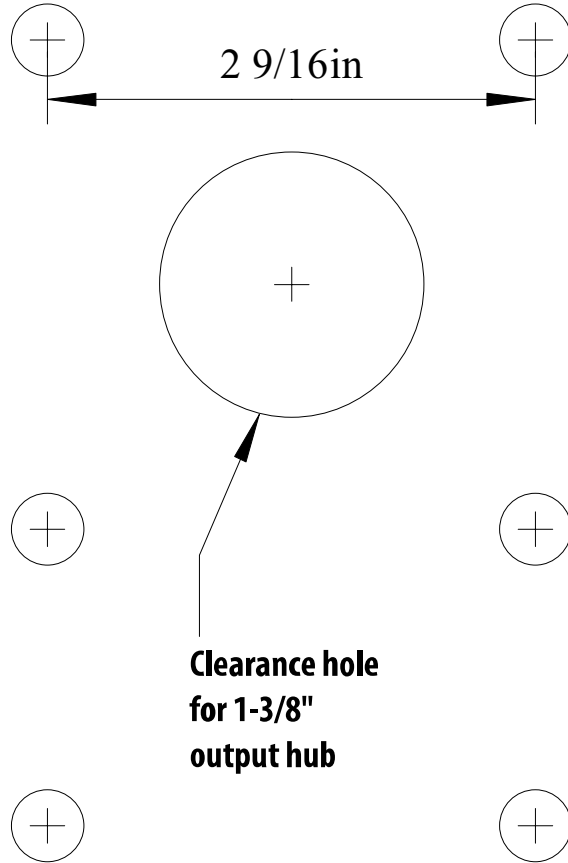


PLEASE DO NOT FAX TEMPLATE &
DO NOT PRINT with SCALE TO PAGE

Roll-Rite, LLC • 2574 School Rd • Alger, MI 48610
800-297-9905 www.RollRite.com

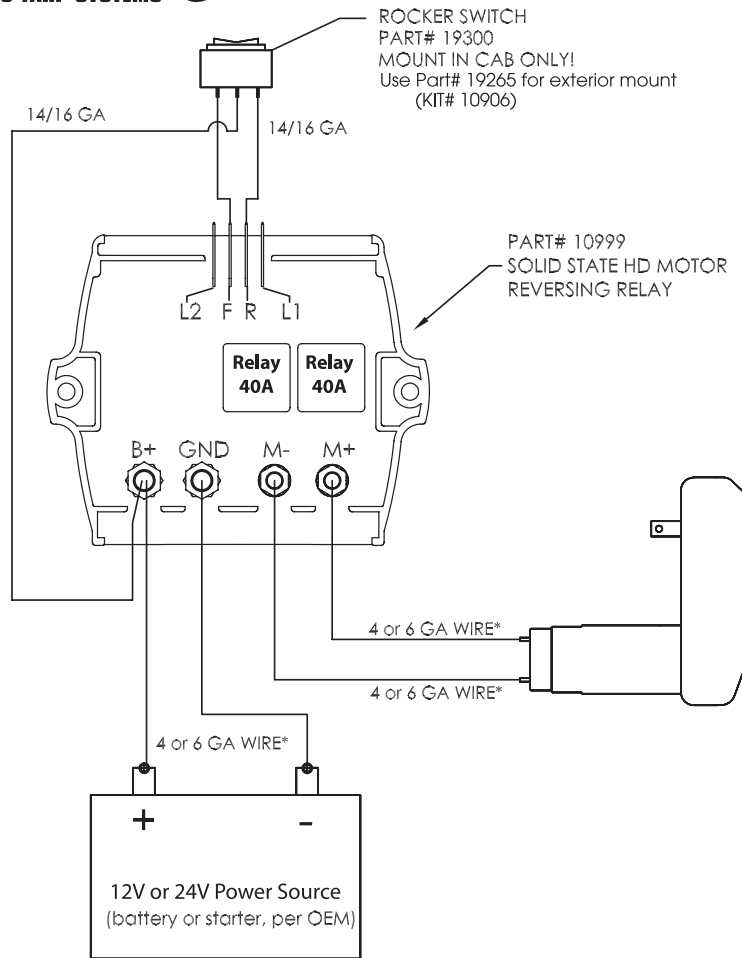
Gear Motor Mounting Template

This sheet can be used as a drilling template for the six gear motor mounting bolts.



1. Drill or cut a clearance hole for the 1-3/8" output hub.
2. Drill six 3/8" holes for the mounting bolts.
WARNING:
Drilling or cutting a larger hole may allow the threaded inserts to pull out if the mounting bolts are overtightened.
3. **Use all six bolts when mounting your gear motor!**
4. Torque the mounting bolts to 70 in-lb (5.8 ft-lb.)

- DO NOT USE POWER TOOLS
- DO NOT OVERTIGHTEN
- DO NOT USE THREAD LOCKER



***Wire Size Guideline: 6 Gauge – up to 85', 4 Gauge – up to 135'.**
In any application, larger wire = better motor performance.

Solid State Relay Mounting Instructions:

1. Select a desired mounting location as close to battery as possible.
2. Using the relay as a template, mark the centers of the mounting holes.
3. Using a 1/4" drill bit, drill the holes marked in the previous step.
4. Mount the relay using the provided bolts and nuts.
5. Wire the relay according the wiring diagram.
6. Apply dielectric grease to all electrical connections.



To ensure full warranty coverage, please follow wiring specifications shown on wiring diagram inside.

**For complete warranty details, contact
Roll-Rite Customer Care Center
toll-free, 1-800-297-9905**

If your application is using a Roll-Rite electric kit with mechanical relay, please refer to your wiring diagram included in your Roll-Rite Electric Kit. If using the mechanical relay follow important electrical requirements below:

IMPORTANT!

12-Volt Electrical Requirements

A Roll-Rite® Electric Gear Motor and Motor Reversing Relay (PN# 10690) Must Be Used In Conjunction with The Following Roll-Rite® Parts:

- **40 AMP. Modified Circuit Breaker: PN#17941**
- **Momentary Rocker Switch: PN#19300**
- **6 Ga. Dual Conductor Wire: PN#11330**
- **14 Ga. 3 Conductor Wire: PN#11410**

Use of unauthorized parts or improper installation may lead to premature component failure.

See Electrical Diagram for installation details or Call Roll-Rite® Customer Care at 1-800-297-9905 if you have any questions.

PLEASE DO NOT FAX TEMPLATE

Roll-Rite, LLC • 2574 School Rd • Alger, MI 48610
800-297-9905 www.RollRite.com