

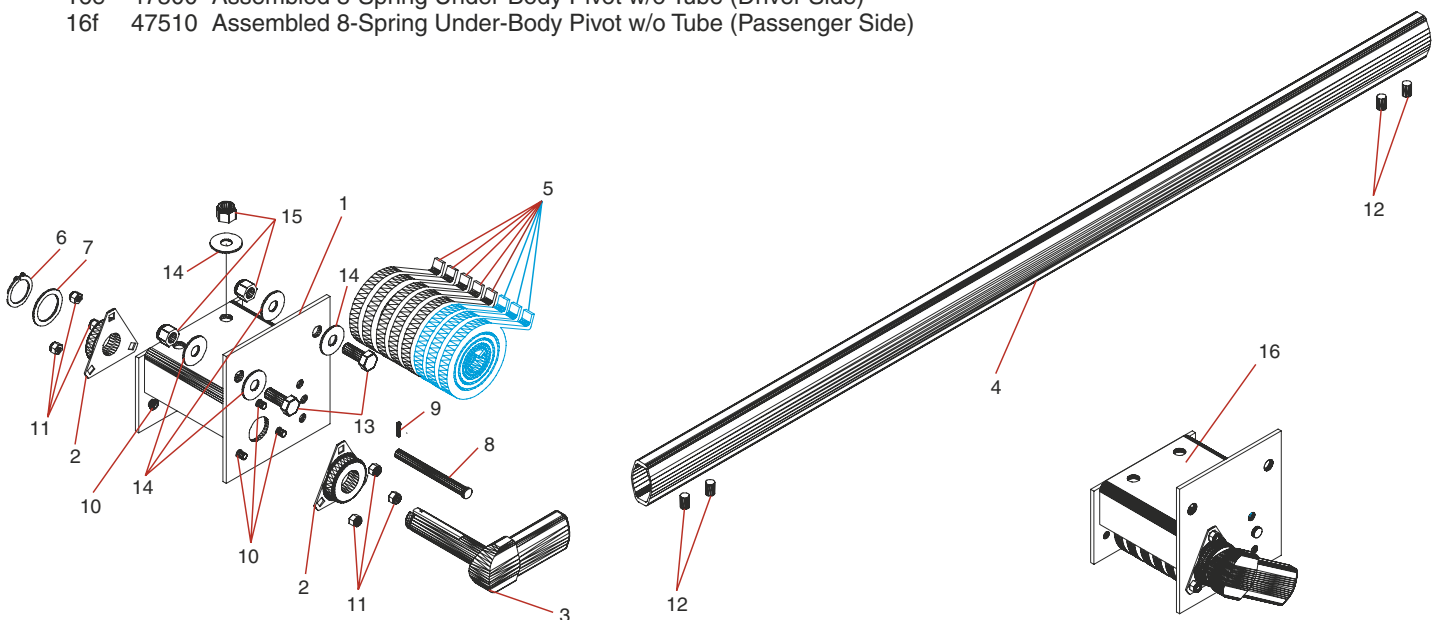
Pivot Set Parts & Diagrams

Under Body Mount Straight Arm Pivot Parts

Diagram Covers the Following Pivot Sets from p. 5:

46550, 46580 and 47600 Aluminum Under Body Mount Pivot Set

Ref#	Part#	Description
1a	46030	Bracket for 5-Spring Under-Body Pivots (Driver Side)
1b	46040	Bracket for 5-Spring Under-Body Pivots (Passenger Side)
1c	46010	Bracket for 6-Spring Under-Body Pivots (Driver Side)
1d	46020	Bracket for 6-Spring Under-Body Pivots (Passenger Side)
1e	47520	Bracket for 8-Spring Under-Body Pivots (Driver Side)
1f	47530	Bracket for 8-Spring Under-Body Pivots (Passenger Side)
2	47800	1 1/4" Carrier Bearing w/ Triangular Flange for Roller-Bearing Pivots
3a	46380	Pivot Pin for 5-Spring Under-Body—includes 47000 & 47010 (Driver Side)
3b	46390	Pivot Pin for 5-Spring Under-Body—includes 47000 & 47010 (Passenger Side)
3c	46360	Pivot Pin for 6-Spring Under-Body—includes 47000 & 47010 (Driver Side)
3c	46370	Pivot Pin for 6-Spring Under-Body—includes 47000 & 47010 (Passenger Side)
3e	47400	Pivot Pin for 8-Spring Under-Body—includes 47000 & 47010 (Driver Side)
3f	47410	Pivot Pin for 8-Spring Under-Body—includes 47000 & 47010 (Passenger Side)
4a	46250	96" Pivot Tube w/ Set Screws for 5-Spring Under-Body
4b	46260	144" (12') Pivot Tube w/ Set Screws for 6-Spring Under-Body
4c	47450	192" (16') Pivot Tube w/ Set Screws for 8-Spring Under-Body
5	47230	Spiral Torsion Spring (Fits All Roll-Rite Pivots w/ 1 1/4" Pivot Pins)
6	47000	Snap Ring for Pivot Pins
7	47010	Machinery Bushing for Pivot Pins
8a	18530	1/2" x 4-3/8" Clevis Pin
8b	18540	1/2" x 5-1/4" Clevis Pin
8c	18550	1/2" x 6-5/8" Clevis Pin
9	18299	1/8" x 1" Cotter Pin
10	18240	3/8" x 7/8" Button Head Bolt
11	18625	3/8" Nylock Nut
12	18293	1/2" x 3/8" Set Screw
13	18710	5/8" x 1 1/2" Hex Head Bolt
14	18414	5/8" USS Flat Washer
15	18635	5/8" Nylock Nut
16a	46090	Assembled 5-Spring Under-Body Pivot w/o Tube (Driver Side)
16b	46100	Assembled 5-Spring Under-Body Pivot w/o Tube (Passenger Side)
16c	46070	Assembled 6-Spring Under-Body Pivot w/o Tube (Driver Side)
16d	46080	Assembled 6-Spring Under-Body Pivot w/o Tube (Passenger Side)
16e	47500	Assembled 8-Spring Under-Body Pivot w/o Tube (Driver Side)
16f	47510	Assembled 8-Spring Under-Body Pivot w/o Tube (Passenger Side)



Roll-Rite®— Clearly the Best.

1-800-297-9905