

# Power Kit Parts & Diagram

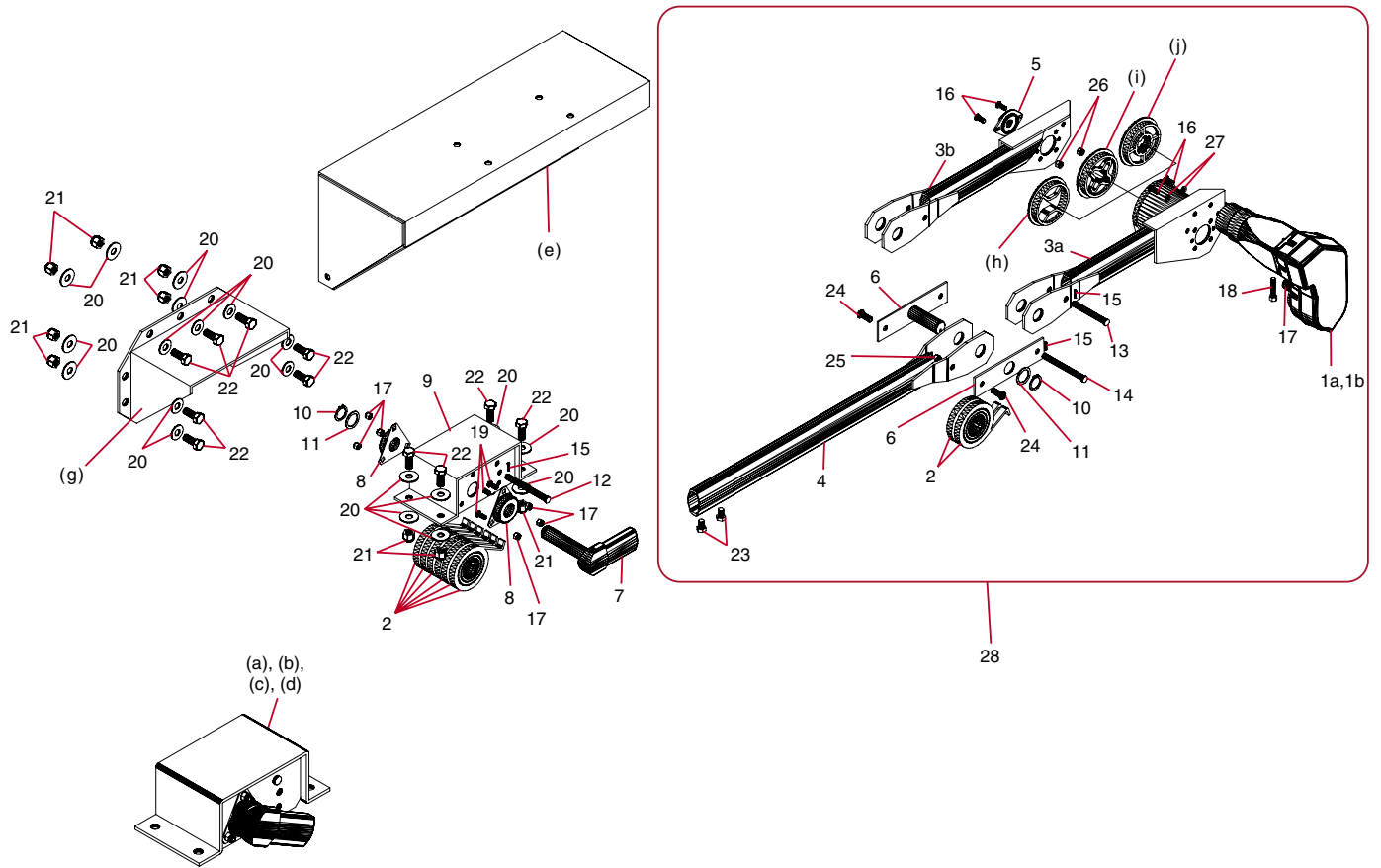
## Single Arm Power Kit Parts — From Power Kits, p. 14-15

Includes: 38100 & 38101 Power Kit w/ Top Mount Pivots for "Lock-Down" Tarp Systems

Ref#	Part#	Description
(a)	46470	Assembled 6-Spring Top Mount Pivot w/o Tube (Driver Side)
(b)	46480	Assembled 6-Spring Top Mount Pivot w/o Tube (Passenger Side)
(e)	47210	Pivot Mount Bracket for Front of Grain Trailer
(f)	47220	Angle Adapter for 47210 Pivot Mount
(g)	47200	Bracket for Mounting Top Mount Pivot to Vertical Surface
(h)	37580	Axle Stabilizer Bushing for 4" Axle
(i)	37570	Axle Stabilizer Bushing for Standard Axle
(j)	37590	Axle Stabilizer Bushing for 36940 Conversion Adapter
(k)	47205	Pivot Mount for Front of Alumatech Style Trailer (3 Pieces)
(l)	47206	U-Shaped Bracket for Alumatech Style Pivot Mount
(m)	47207	Z-Shaped Bracket for Alumatech Style Pivot Mount
1a	10200	Gear Motor, TarpStretcher
1b	10220	Gear Motor, High-Speed TarpStretcher
2	47230	Spiral Torsion Spring (Fits All Roll-Rite Pivots w/ 1 1/4" Pivot Pins)
3a	46890	Upper Pivot Tube w/ Side Plates and Brackets for Knuckle Pivot (3 Spring Front)
3b	47890	Upper Pivot Tube w/ Side Plates and Brackets for Knuckle Pivot (3 Spring Back)
3c	48890	Long Upper Pivot Tube w/ Side Plates and Brackets for Transfer Trailer Knuckle Pivot (Front)
4	46980	Base Pivot Tube w/ Side Plates and Set Screws for Side-to-Side Knuckle Pivot (3 Spring)
5	31050	3/4" Axle Bearing w/ Flanges (Includes Mounting Bolts)
6	47960	3 Spring Knuckle Pin w/ Stop Plate for Side-to-Side Knuckle Pivots (Motor End Front or Back)
7a	46360	Pivot Pin for 6-Spring Roller Bearing Pivot (Driver Side/Front)
7b	46370	Pivot Pin for 6-Spring Roller Bearing Pivot (PassSide/Rear)
8	47800	1 1/4" Carrier Bearing w/ Triangular Flange for Roller-Bearing Pivots (Each)
9	46400	Bracket for 5 & 6-Spring Top Mount Pivots (Each)
10	47000	Snap Ring for Pivot Pins
11	47010	Machinery Bushing for Pivot Pins
12	18540	1/2" x 5-1/4" Clevis Pin for 6 spring box
13	18520	1/2" x 3-1/2" Clevis Pin
14	18530	1/2" x 4-3/8" Clevis Pin
15	18299	1/8" x 1" cotter pin
16	18210	5/16" x 7/8" Button Heads
17	18625	3/8" Nylock Nut
18	18290	3/8" x 2 1/2" Hex Head Grade 8 Bolt
19	18240	3/8" x 7/8" Button Head Bolt
20	18414	5/8" USS Flat Washer
21	18635	5/8" Nylock Nut
22	18710	5/8" x 1 1/2" Hex Head Bolt
23	18292	1/2" x 3/4" Hex Head Bolt
24	18295	1/2" x 1 1/4" Button Head Bolt
25	18631	1/2" Nylock Nut
26	18613	5/16" Nylock Nut
27	18400	5/16" Flat Washer
28	46804	Assembled Knuckle Arm for 38100

### Single Arm Power Kit Parts

Includes: 38100 & 38101 Power Kit w/ Top Mount Pivots For "Lock-Down" Tarp Systems (Reference Part Numbers on Previous Page.)



Prices are listed as each unless otherwise indicated.  
All prices subject to change without notice.

Roll-Rite® — Clearly the Best.  
**1-800-297-9905**