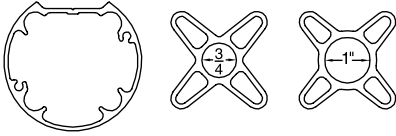


Axle Kit Parts & Diagram

Axle Profiles:



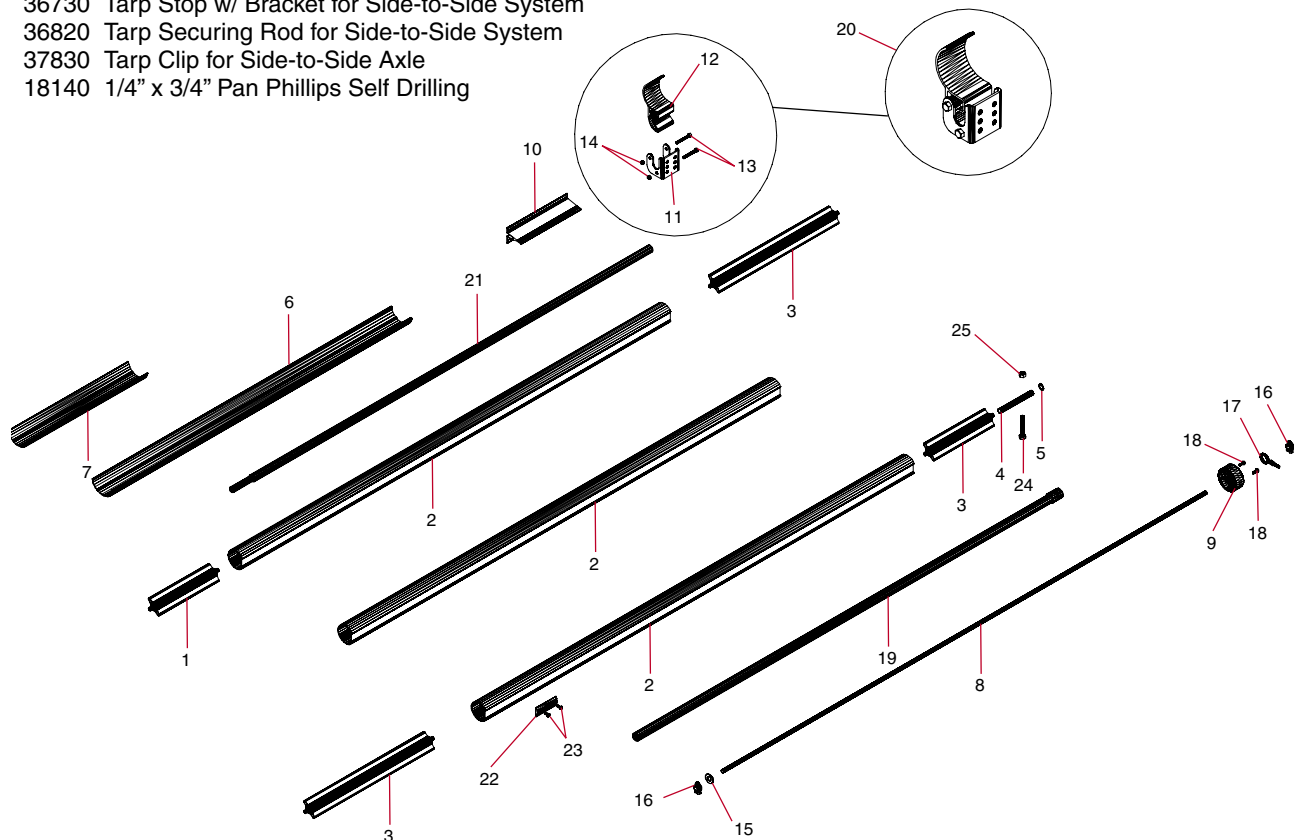
37820 36960 36970

“Lock-Down” Axle Kit Parts — From Axle Kits, p. 16

Includes: 37170 & 37150 Axle Kit For Side to Side “Lock-Down” Tarp Systems

Ref# Part# Description

- 1 36970 Side-to-Side Axle Splice w/ 1" Shaft Adapter
- 2c 37820 3" Clip Style Tarp Spool Axle for Side-to-Side Systems (Specify Motor End, Bungee End, or Center Section)
- 3 36960 Side-to-Side Axle Splice w/ 3/4" Shaft Adapter
-
-
- 6 37950 Ridge Pole for 4" Axle
- 7 37960 Ridge Pole Splice for 4" Ridge Pole
- 9 37900 Bungee Cap for 3" Axle
- 10 36750 Lock Down Extrusion for Side-to-Side System
- 11 36740 Replacement Bracket for Tarp Stop
- 12 36760 Replacement Tarp Stop w/o Bracket
- 13 18224 5/16" x 4" Bolt
- 14 18613 5/16" Nylock Nut
-
-
- 18 18100 1/4-20 x 3/4" Type F Self Tapping Bolt
-
- 20 36730 Tarp Stop w/ Bracket for Side-to-Side System
- 21 36820 Tarp Securing Rod for Side-to-Side System
- 22 37830 Tarp Clip for Side-to-Side Axle
- 23 18140 1/4" x 3/4" Pan Phillips Self Drilling



Roll-Rite® — Clearly the Best.
1-800-297-9905

Prices are listed as each unless otherwise indicated.
 All prices subject to change without notice.