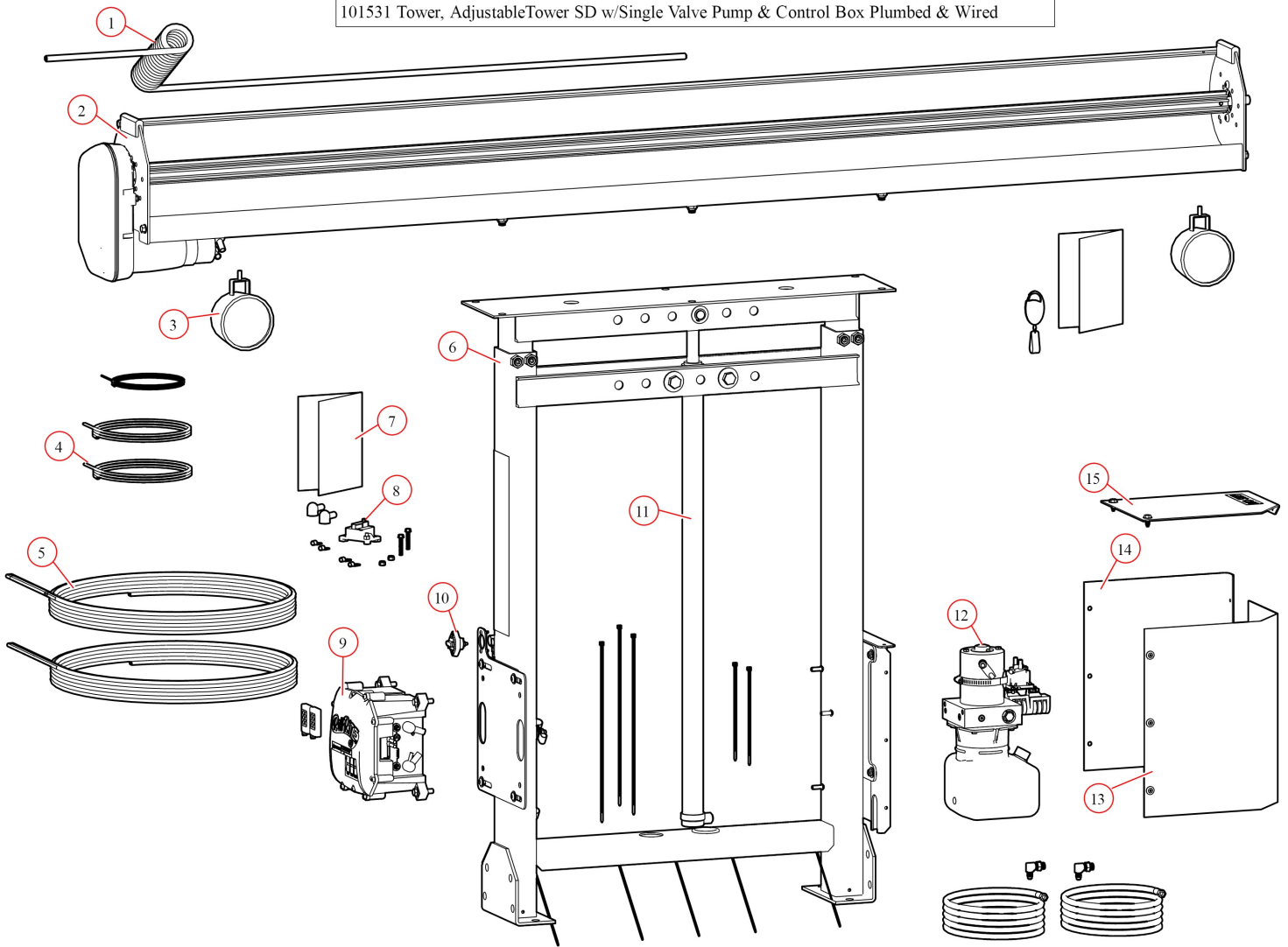


Tower Assembly. 12v SDX Single Stage w/Single Valve Pump &

Control Box SDX S/N:

Part Number: 101531

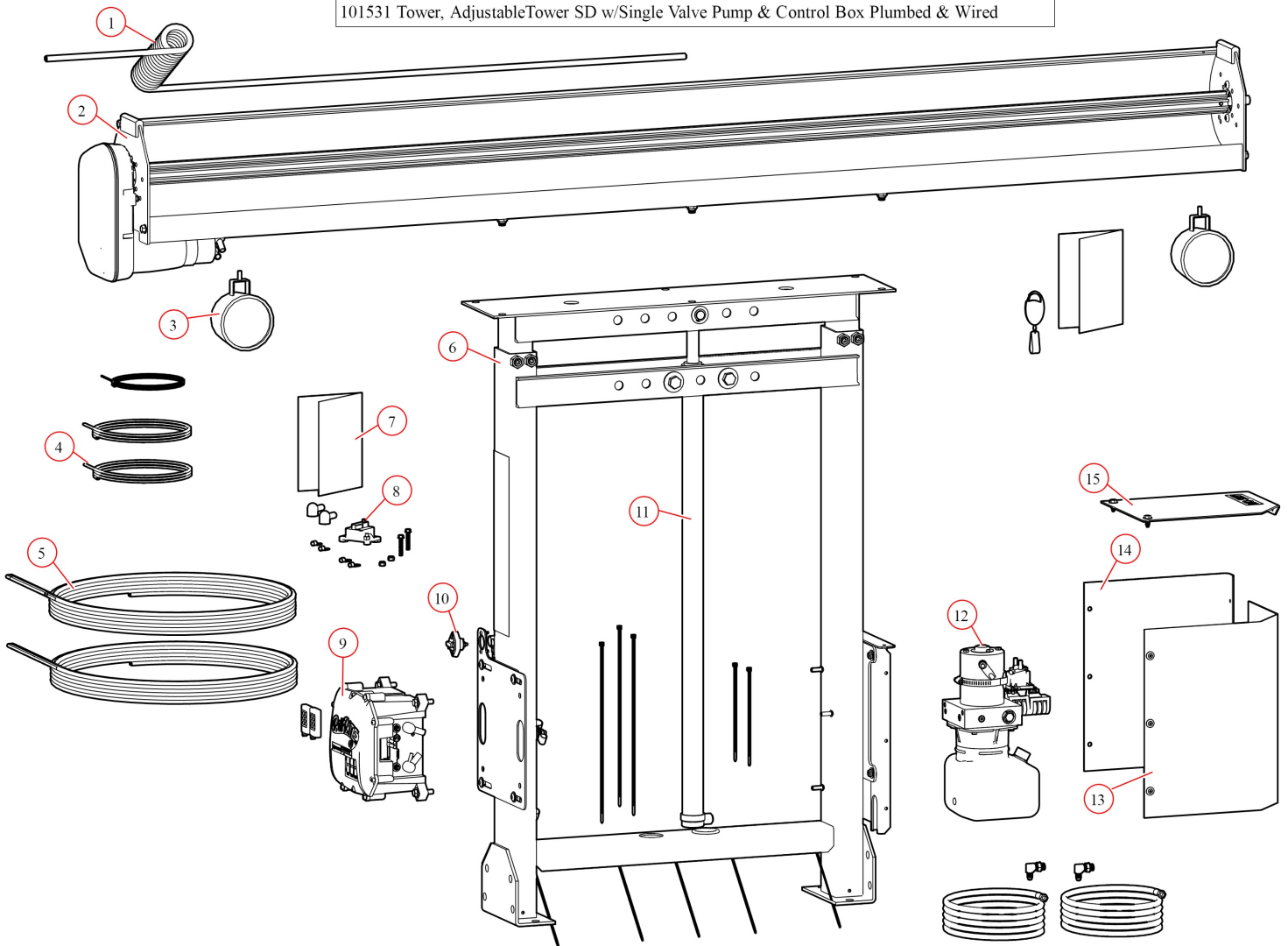
101531 Tower, Adjustable Tower SD w/Single Valve Pump & Control Box Plumbed & Wired



Bom ID	Part#	Description	qty
1	11328	Wire. 2 Stage Tower Coil 110" - Assembled	1
2	36479	Spool Kit. Super Duty Tarp Spool w/98" Integrated Housing	1
3	104103	Light. Work Light LED 12V	2
4	11345	Wire. 16 ga. 2-Conductor (per foot)	2
5	11330	Wire. 6 Ga. Dual Conductor - (per ft)	2
6	39004	Tower. Stationary Tower for Integrated Housing	1
7	101630	Instructions. DC Series Installation	1
8	17913	Breaker. 100 amp Manual Reset Breaker Kit for 24V & 12V Integrate...	1
9	19865	Control Box. Wireless Black Control Box - 12/24V Waste	1
10	17918	Breaker. 35A Outdoor Manual Reset Circuit Breaker	1
11	39520	Cylinder. 1.5" Bore x 36" Stroke DA. Single Flange Mount	1
12	39612	Hydraulic Power Unit. 12V. 1 Valve	1

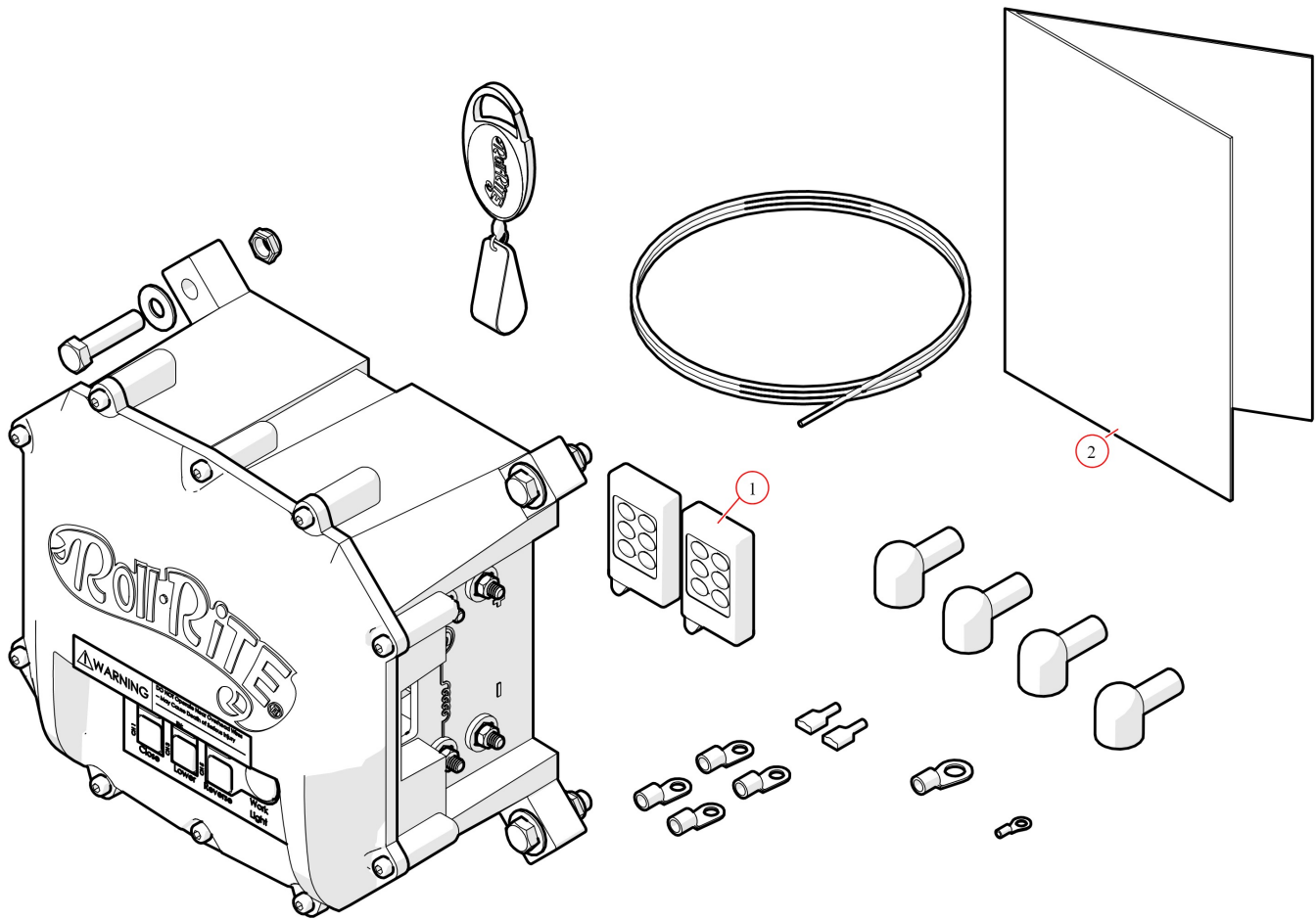
13	39615	PUMP COVER. POLY SIDE COVER FOR VERT MOUNT PUMP	1
----	-------	---	---

101531 Tower, Adjustable Tower SD w/Single Valve Pump & Control Box Plumbed & Wired



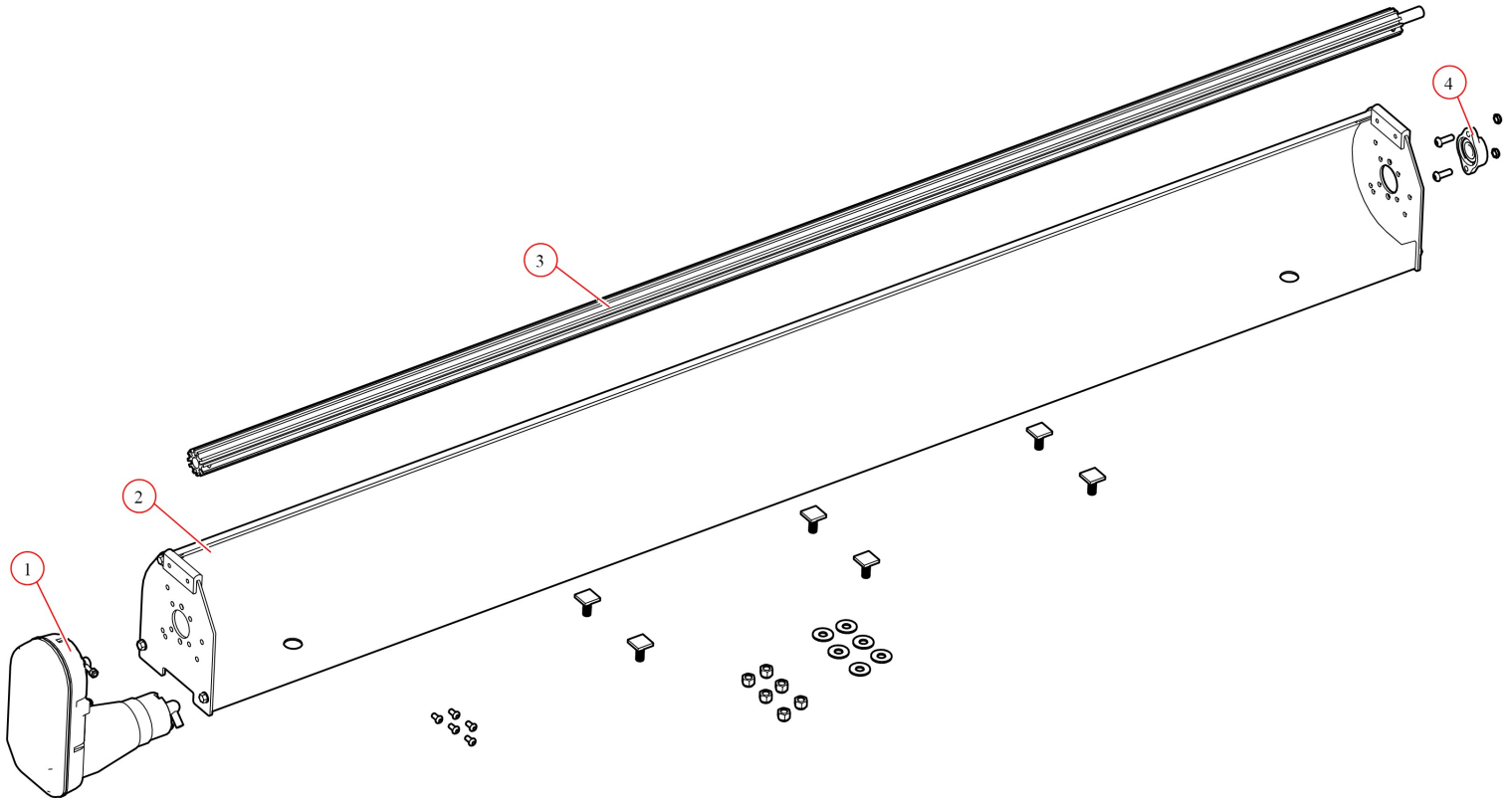
Bom ID	Part#	Description	qty
14	10794	Bracket. Pump Mount Cover Steel 1/8x16x13 7/8"	1
15	10778	Bracket. Steel Vert Pump Mount Cover	1

19865 Control Box, wireless Black Control Box for Waste, 12 V



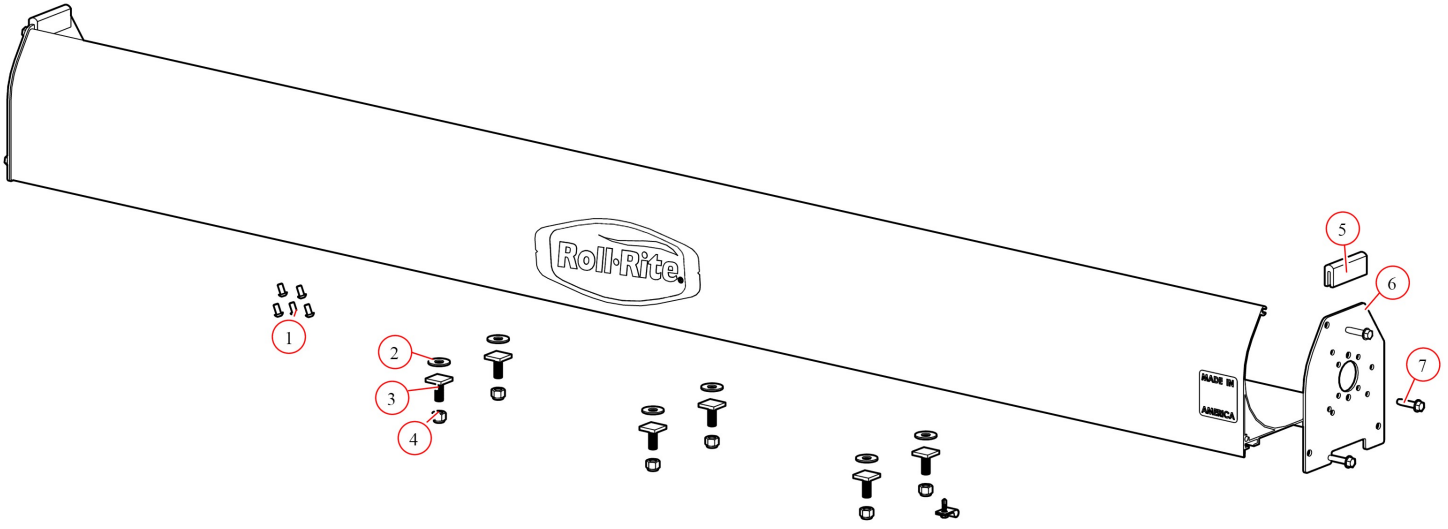
Bom ID	Part#	Description	qty
1	19801	RF Transmitter/FOB. 433MHz. Gen1 Motor Relay	2
2	101786	Instructions. Push button Control Box	1

36479 Spool Kit, Super Duty Tarp Spool w/98" Integrated Housing S/N: SDX



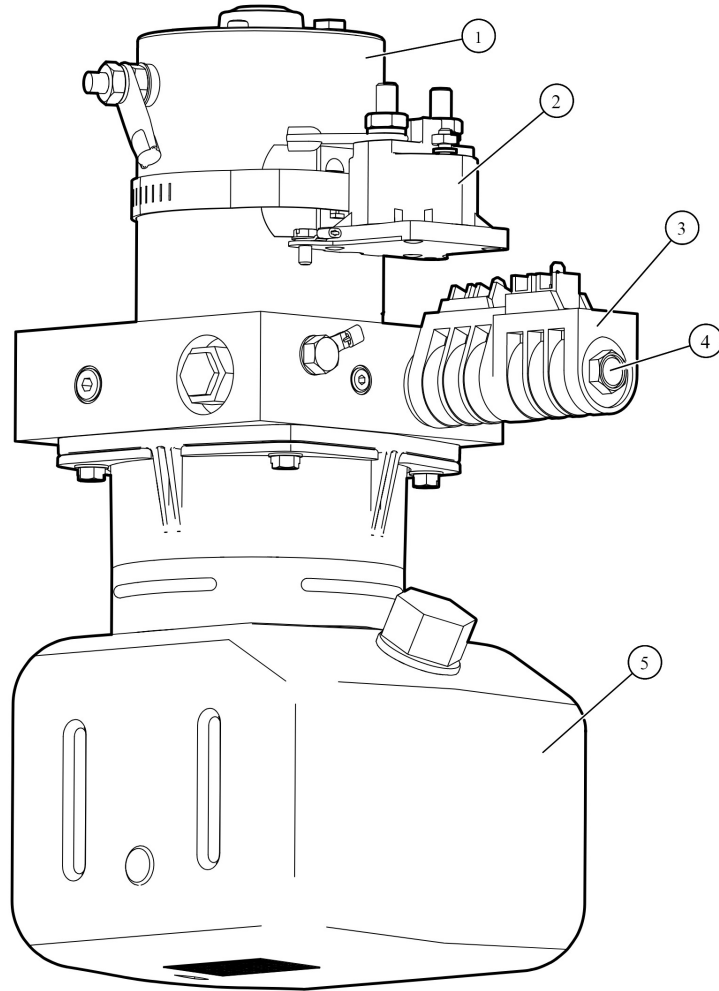
Bom ID	Part#	Description	qty
1	10122	Super Duty Motor 12V. 5 Year Warranty :S/N:	1
2	36164	Housing. Spool 98" Aluminum Integrated Housing	1
3	31030	Axle. 97" Pre-Threaded Tarp Axle w/Stub Shaft	1
4	31050	Bearing. 3/4" Flanged Axle Bearing with bolts	1

36164 Housing, Spool 98" Aluminum Integrated Housing



Bom ID	Part#	Description	qty
1	18260	Bolt. 5/16" x 5/8" Button Head Bolt - Zinc Plated	5
2	18412	Washer. 1/2" Flat Zinc	6
3	18245	Bolt. T-Bolt 1/2-13NCx1.75 for GAB	6
4	18631	Nut. 1/2" Nylock Nut	6
5	36300	Bumper. Rubber Bumper for Tarp Spool (each)	2
6	36331	Bracket. Int Housing Aluminum Endcaps - Drivers Side	2
7	18120	Bolt. 3/8" x 1-1/2" Thread Cutting Screw Hex Washer Hd	6

39612 Pump Assembly, 12V Hydraulic Pump w/Manifold & 1 Valve & Compact Tank



Bom ID	Part#	Description	qty
1	102832	Motor. Replacement Motor for Hydraulic Pump 12 V (39612 & 39712...	1
2	102079	Solenoid. 12VDC Start Switch for Power Unit (39612 & 39712) MTE...	1
3	102078	Coil. 12VDC for Power Unit (39612 & 39712) MTE39002301	2
4	102080	Valve. 3P4W Tandem Center Directional Power Unit (39612)MTE38...	1
5	102073	Cap Kit (Cap and Rubber Grommet)	1
6	102074	Tank Kit. 1 Gallon MTE	1