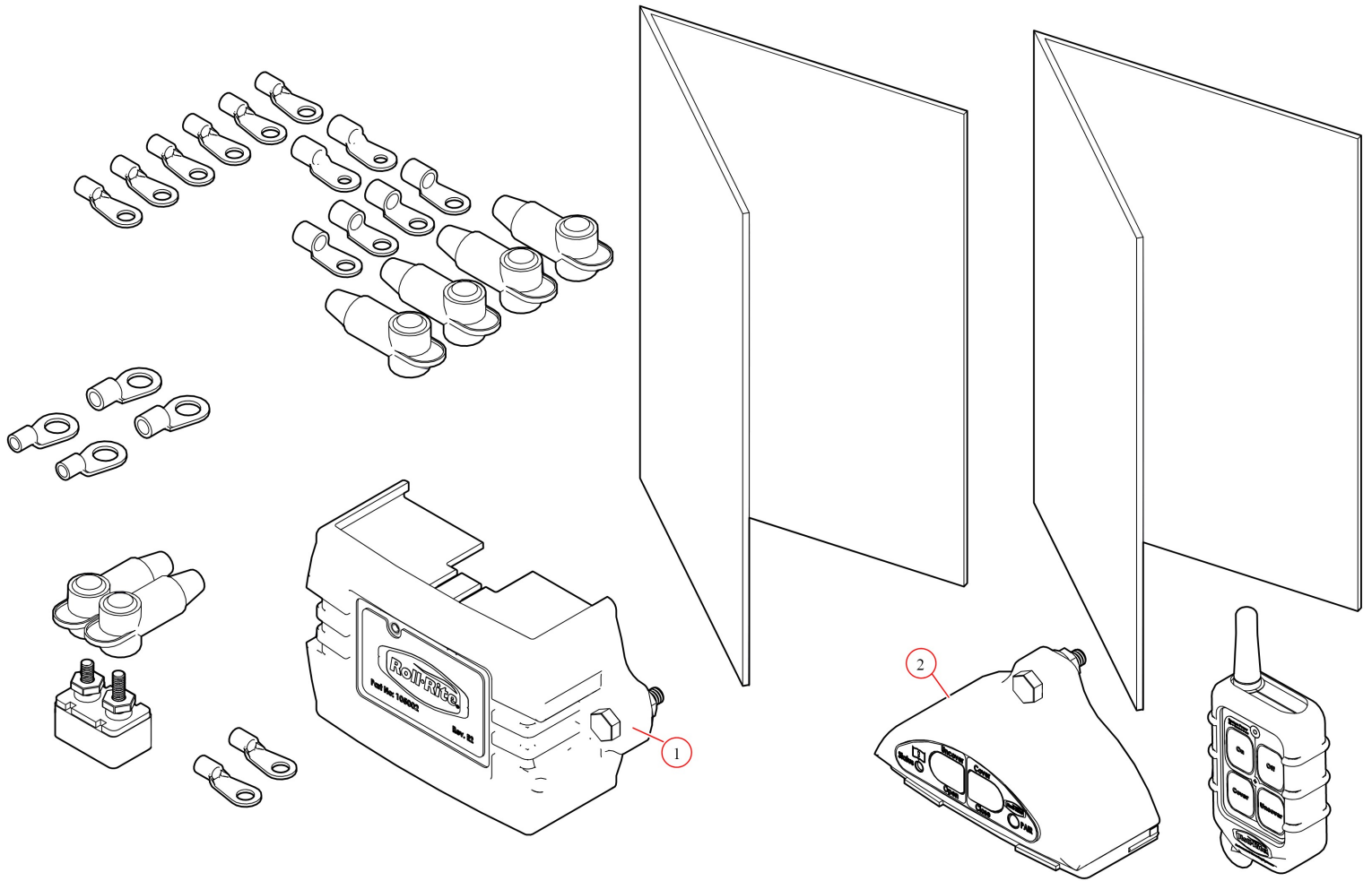


Electric Kit. Gen1+ Solid State Motor Control 12V SWE2 w/ 4

Button RF

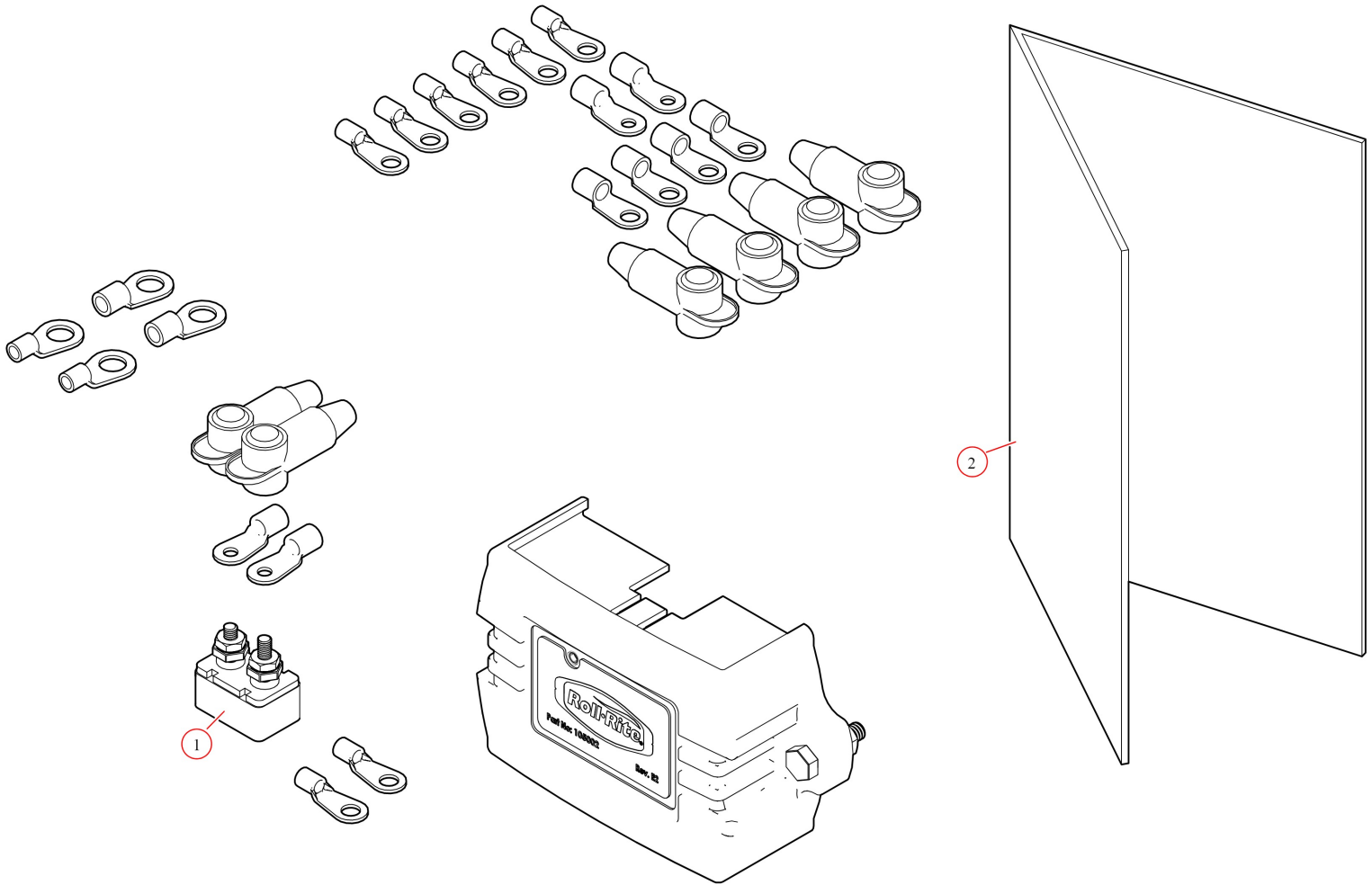
Part Number: 103459

103459 Electric Kit, Gen1+ Solid State Motor Control 12V SWE2 with RF



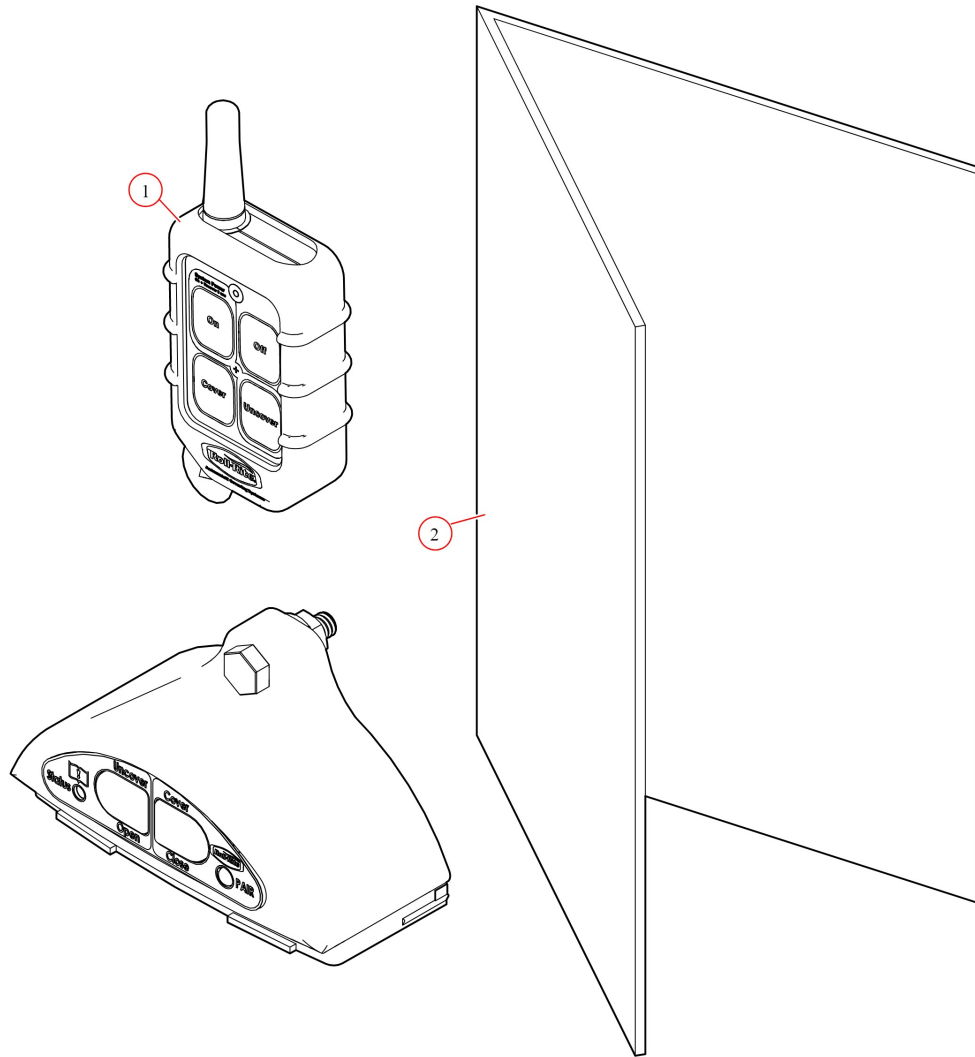
Bom ID	Part#	Description	qty
1	102766	Relay Kit. Gen1+ SS Motor Control 12V SWE2	1
2	11094	RF Switch System. 902-928MHz. w/4 Button Fob & Boot. for Gen1+ ...	1

102766 Electric Kit, Gen1+ SS Motor Control 12V SWE2



Bom ID	Part#	Description	qty
	101259	Breaker. 50 Amp Manual Reset Circuit Breaker for Rite Touch	
	105568	Instructions. Switch Wiring	

11094 RFSwitchSystem, 902-928MHz, Gen1+ TarpMotor Relay



Bom ID	Part#	Description	qty
1	19894	RF Remote FOB. 902-928MHz.4 Button w/ Boot. for Gen1+ Relay	1