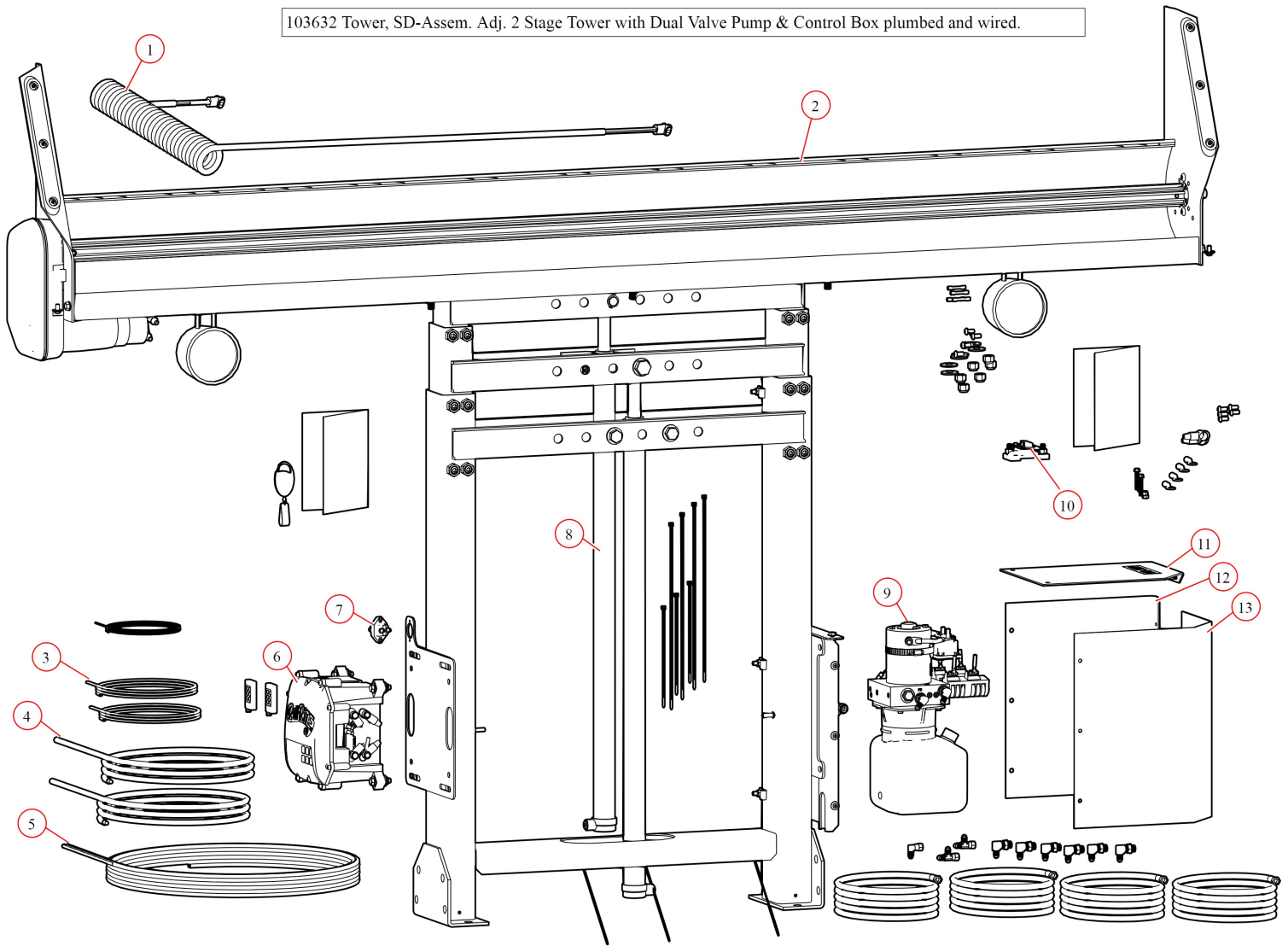
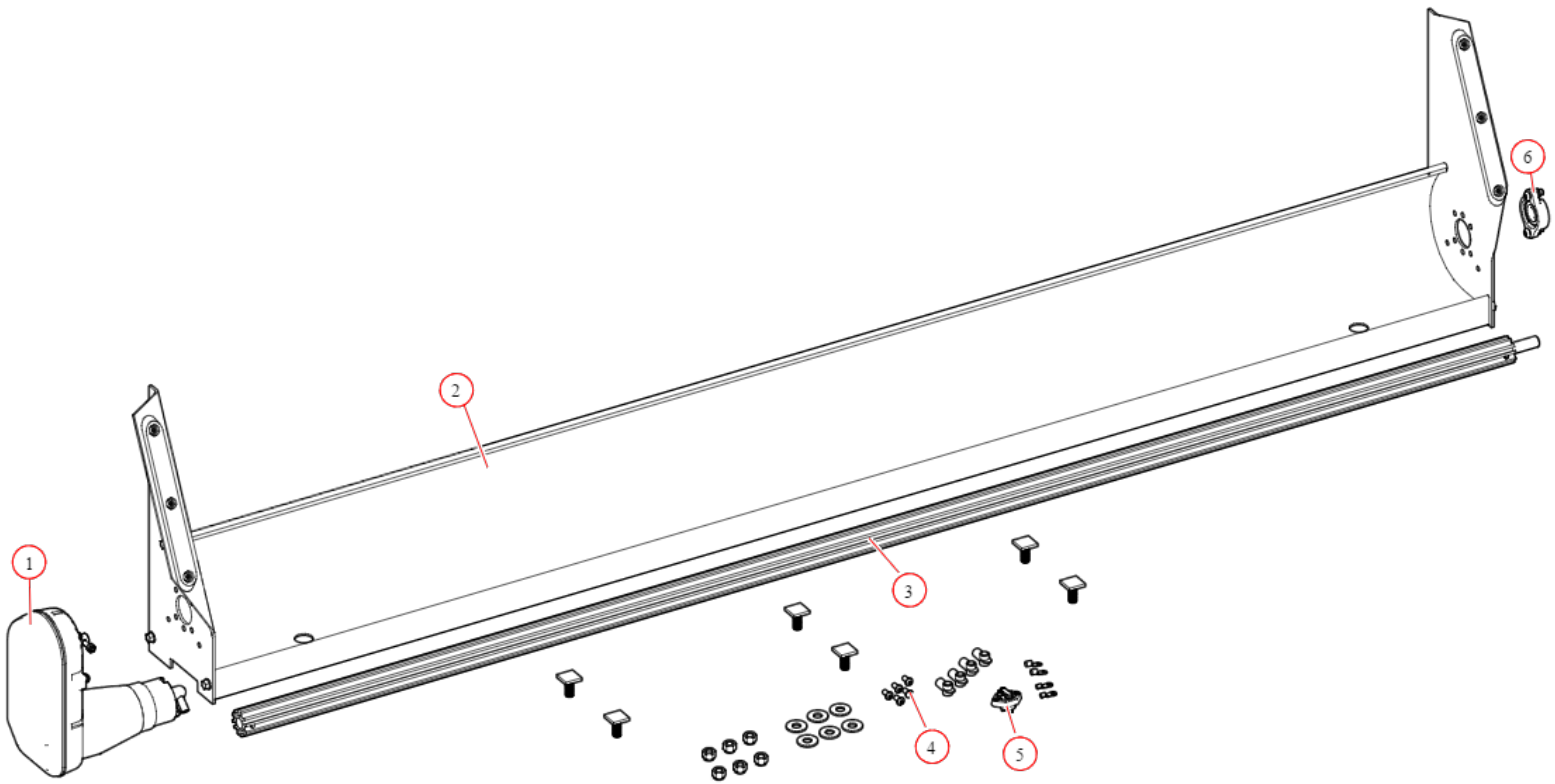


103632 Tower, SD-Assem. Adj. 2 Stage Tower with Dual Valve Pump & Control Box plumbed and wired.



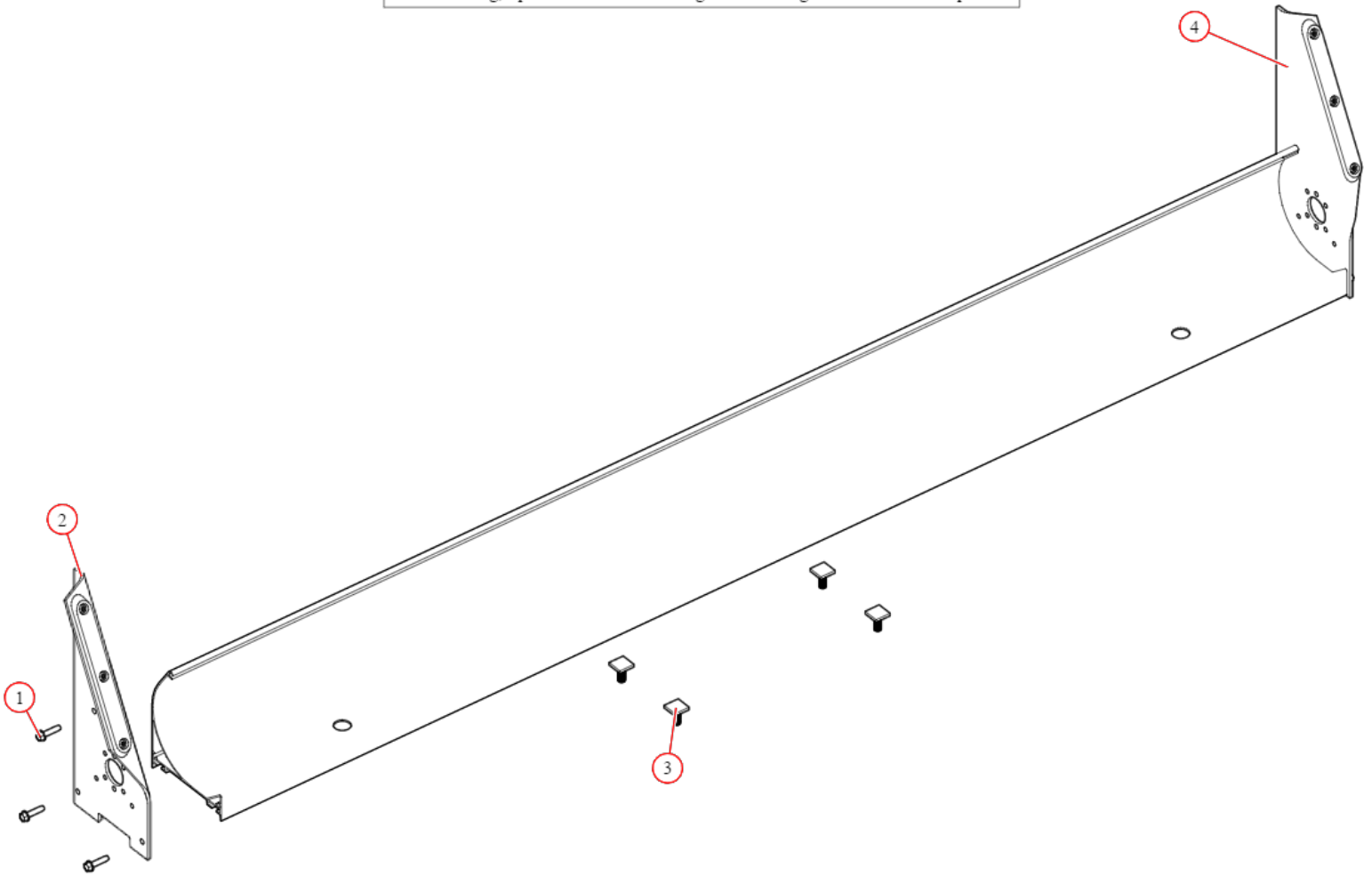
| Bom ID | Part# | Description | qty |
|--------|--------|--|-----|
| 1 | 11328 | Wire. 2 Stage Tower Coil 110" - Assembled | 1 |
| 2 | 100527 | Spool Kit. Super Duty Tarp Spool w/98" Integrated Housing & High ... | 1 |
| 3 | 11345 | Wire. 16 ga. 2-Conductor (per foot) | 1 |
| 4 | 11350 | Wire. 2 Ga. Single Conductor - (per foot) - Black | 2 |
| 5 | 11330 | Wire. 6 Ga. Dual Conductor - (per ft) | 1 |
| 6 | 19865 | Control Box. Wireless Black Control Box - 12/24V Waste | 1 |
| 7 | 17918 | Breaker. 35A Outdoor Manual Reset Circuit Breaker | 1 |
| 9 | 39616 | Hydraulic Power Unit. 12V. 2 Valve | 1 |
| 10 | 17913 | Breaker. 100 amp Manual Reset Breaker Kit for 24V & 12V Integrate... | 1 |
| 11 | 10778 | Bracket. Steel Vert Pump Mount Cover | 1 |
| 13 | 39615 | PUMP COVER. POLY SIDE COVER FOR VERT MOUNT PUMP | 1 |

100527 Spool Kit, SD for Tower w/ 98" Int. Housing and High Wing Endcaps



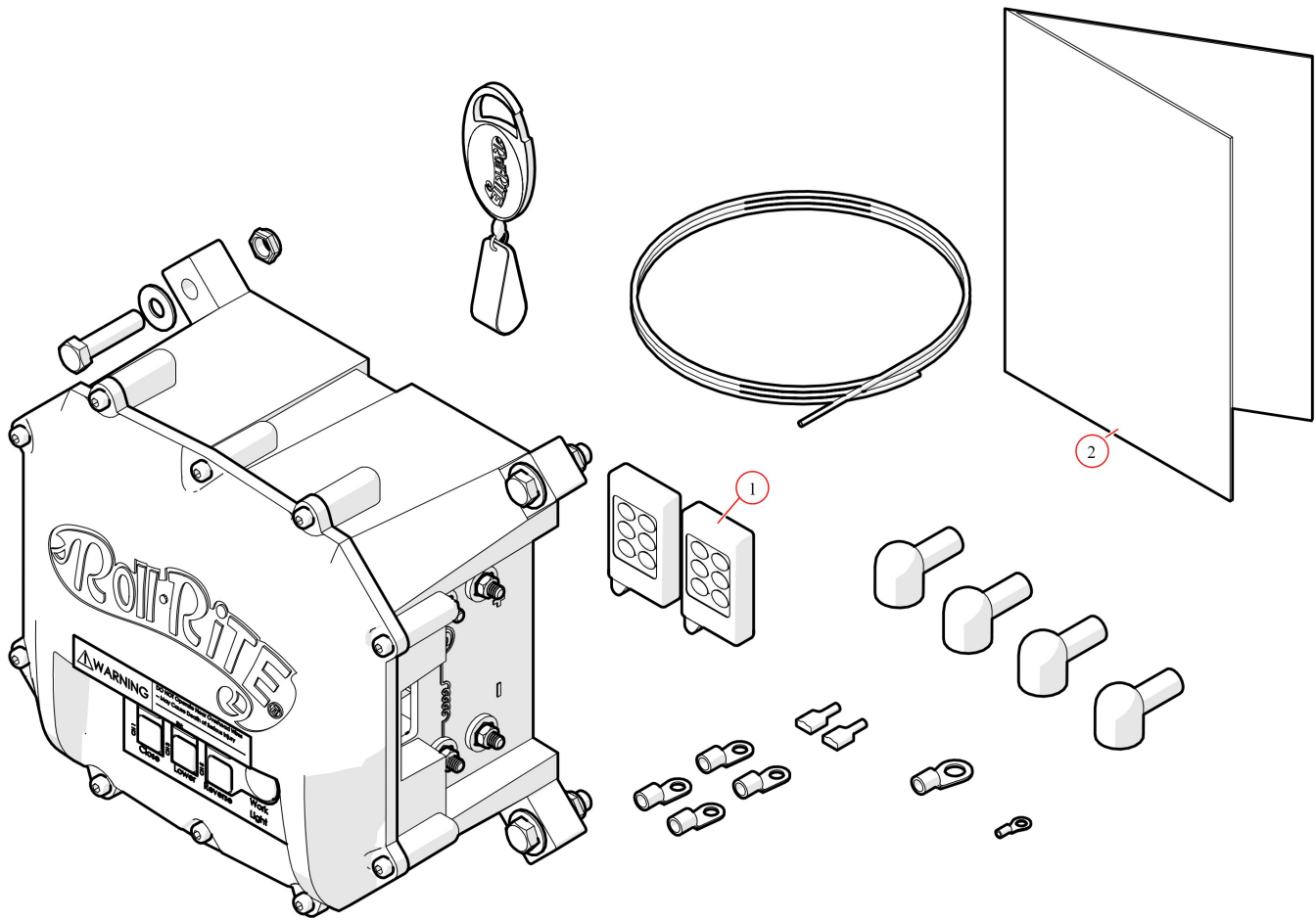
| Bom ID | Part# | Description | qty |
|--------|-------|--|-----|
| 1 | 10122 | Super Duty Motor 12V. 5 Year Warranty :S/N: | 1 |
| 2 | 36167 | Housing. Spool 98" Aluminum Integrated Housing w/ Extended Endc... | 1 |
| 3 | 31030 | Axle. 97" Pre-Threaded Tarp Axle w/Stub Shaft | 1 |
| 4 | 18260 | Bolt. 5/16" x 5/8" Button Head Bolt - Zinc Plated | 5 |
| 5 | 17918 | Breaker. 35A Outdoor Manual Reset Circuit Breaker | 1 |
| 6 | 31050 | Bearing. 3/4" Flanged Axle Bearing with bolts | 1 |

36167 Housing, Spool 98" Aluminum Integrated Housing w/ Extended Endcaps



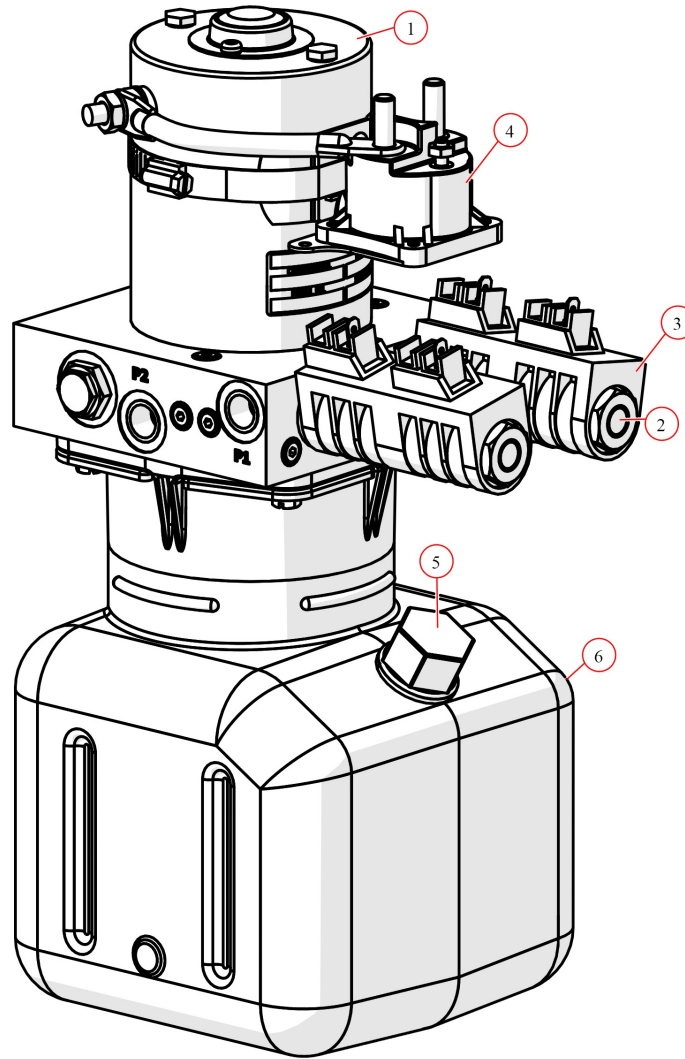
| Bom ID | Part# | Description | qty |
|--------|-------|---|-----|
| 1 | 18120 | Bolt. 3/8" x 1-1/2" Thread Cutting Screw Hex Washer Hd | 6 |
| 2 | 36352 | Bracket. Tarp Spool High Wing with bumper (Driver Side) | 1 |
| 3 | 18245 | Bolt. T-Bolt 1/2-13NCx1.75 for GAB | 6 |
| 4 | 36353 | Bracket. Tarp Spool High Wing with bumper (Pass Side) | 1 |

19865 Control Box, wireless Black Control Box for Waste, 12 V



| Bom ID | Part# | Description | qty |
|--------|--------|--|-----|
| 1 | 19801 | RF Transmitter/FOB. 433MHz. Gen1 Motor Relay | 2 |
| 2 | 101786 | Instructions. Push button Control Box | 1 |

39616 Hydraulic Pump - MTE, 12v 2 Valve



| Bom ID | Part# | Description | qty |
|--------|--------|--|-----|
| 1 | 102832 | Motor. Replacement Motor for Hydraulic Pump 12 V (39612 & 39712... | 1 |
| 2 | 103412 | Valve. 3P4W. Closed Center. MTE | 2 |
| 3 | 102079 | Solenoid. 12VDC Start Switch for Power Unit (39612 & 39712) MTE... | 4 |
| 4 | 102078 | Coil. 12VDC for Power Unit (39612 & 39712) MTE39002301 | 1 |
| 5 | 102073 | Cap Kit (Cap and Rubber Grommet) | 1 |
| 6 | 102074 | Tank Kit. 1 Gallon MTE | 1 |