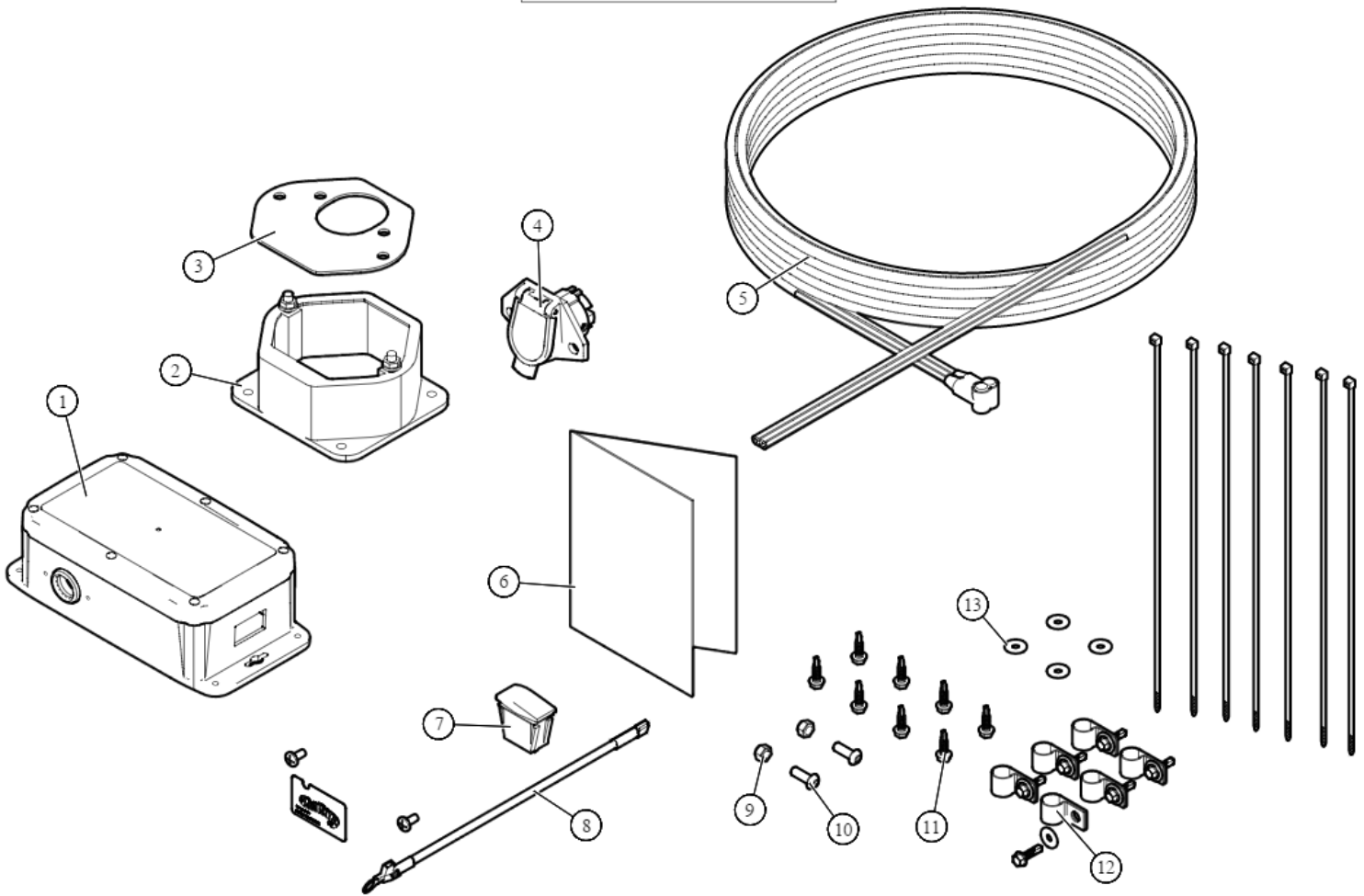


104144 Electric Kit, STS with Rocker



Bom ID	Part#	Description	qty
2	103844	Mount. Face Mount for Dual Pin Plug (50/box)	1
3	103845	Bracket. Plug Mount Adapter Plate	1
4	12770	Socket Assembly. Sureflex Dual Vertical Terminal	1
5	103843	Wire. 60" Dual Conductor 8 ga Terminated w/Boots & Shrink tube on...	1
7	19300	Switch. Rocker (Open/Close)	1
8	103029	Wire. Switch Jumper wire w/terminals 11"	1
9	18613	Nut. 5/16" Nylock Nut	2
10	18210	Bolt. 5/16" x 7/8" Button Head	2
11	18110	Bolt. 1/4" x 1" Self Drilling Hex Washer Head	8
13	18722	Washer. 6MM Fender Washer TZC	4