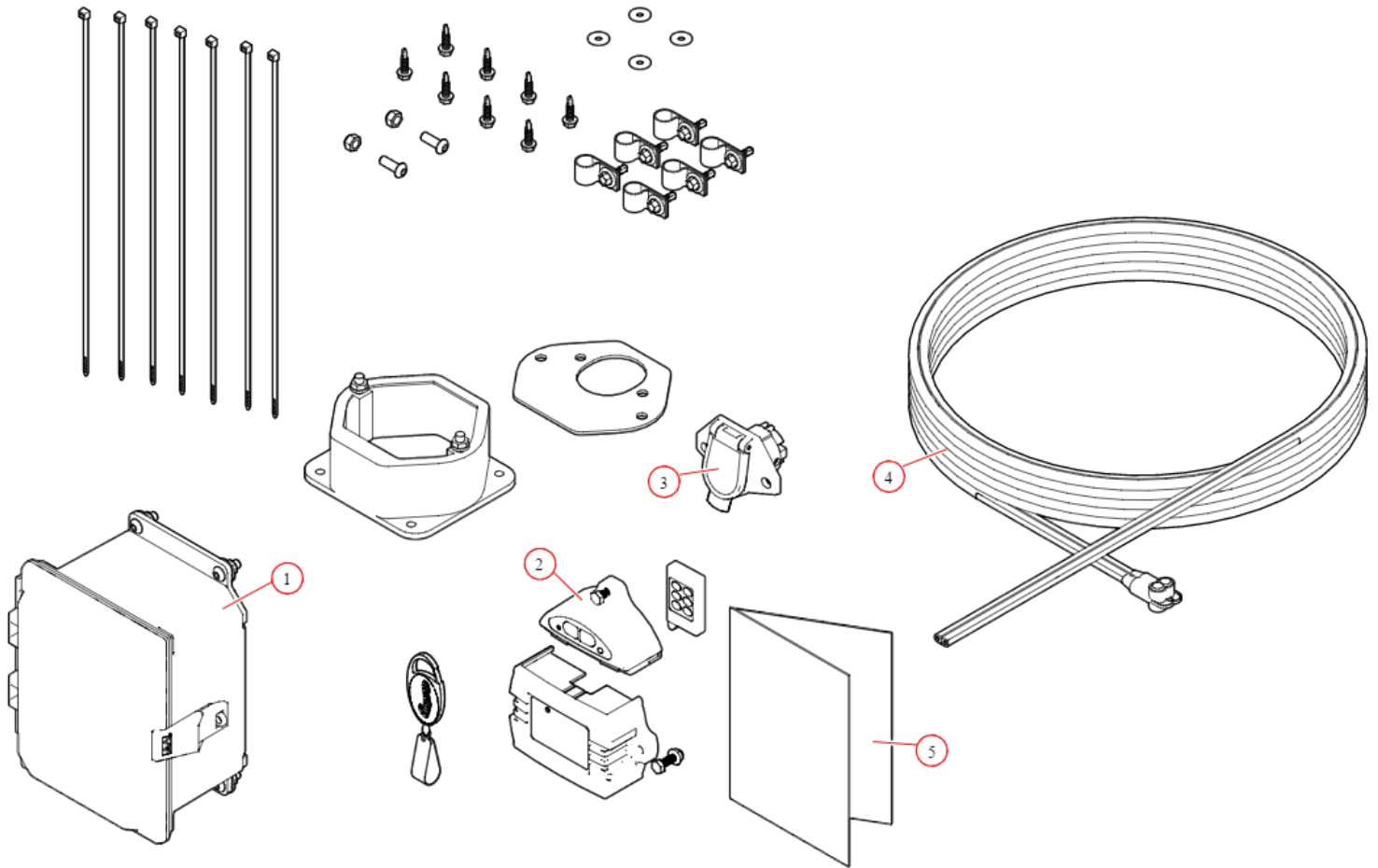


[Electric Kit. STS with RF controller](#)

Part Number: 104146

104146 Electric Kit, STS RF



Bom ID	Part#	Description	qty
1	103641	Enclosure. Poly Box with Controller Mounting Plate	1
2	11000	Switch Kit. RF Receiver w/ keyfob & lanyard	1
3	12770	Socket Assembly. Sureflex Dual Vertical Terminal	1
4	103843	Wire. 60" Dual Conductor 8 ga Terminated w/Boots & Shrink tube on...	1
5	105889	Instructions. Plug Set	1