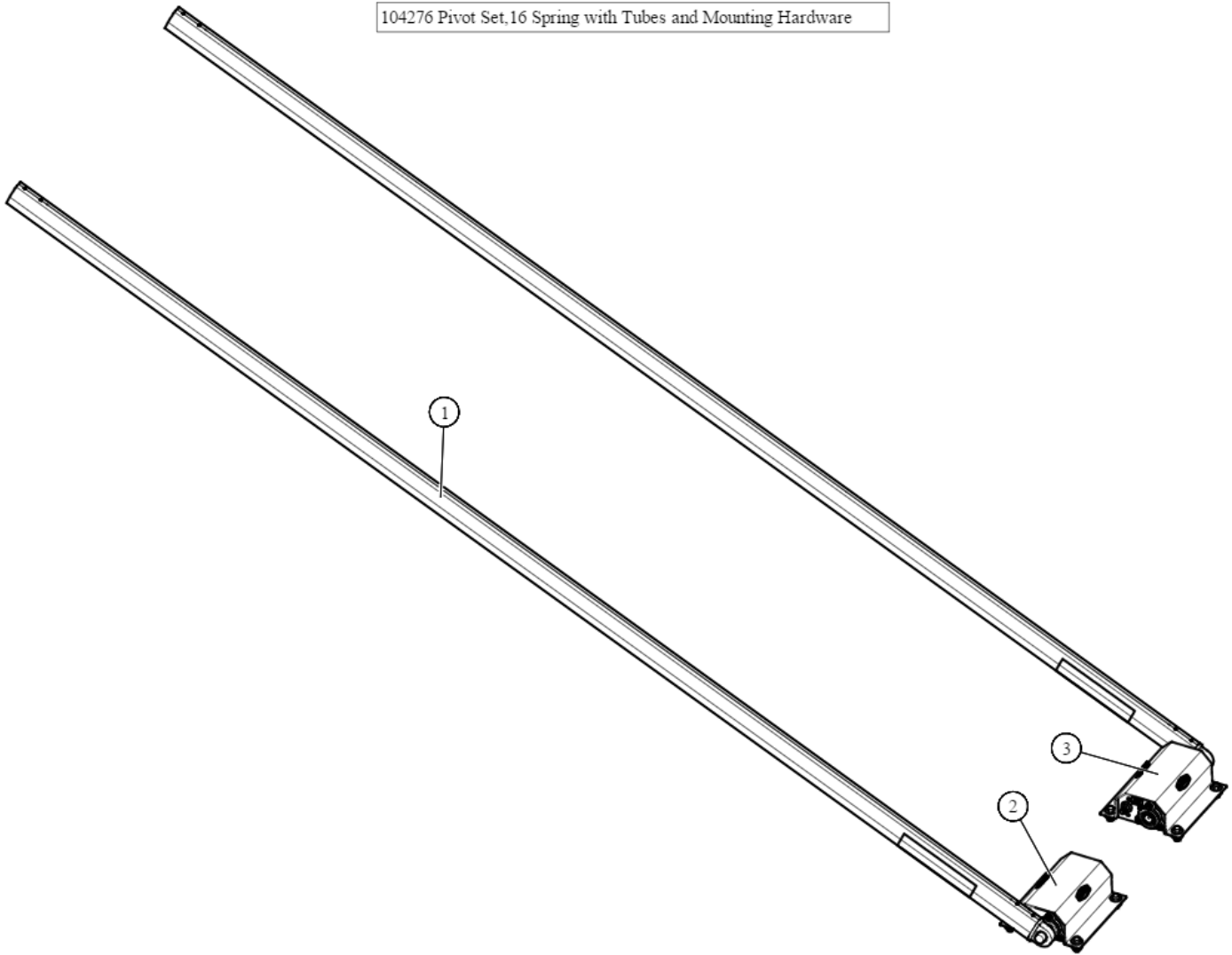




[Top Mount Ext Duty Pivot Set. 16 Spring w/ Tubes and Hardware](#)

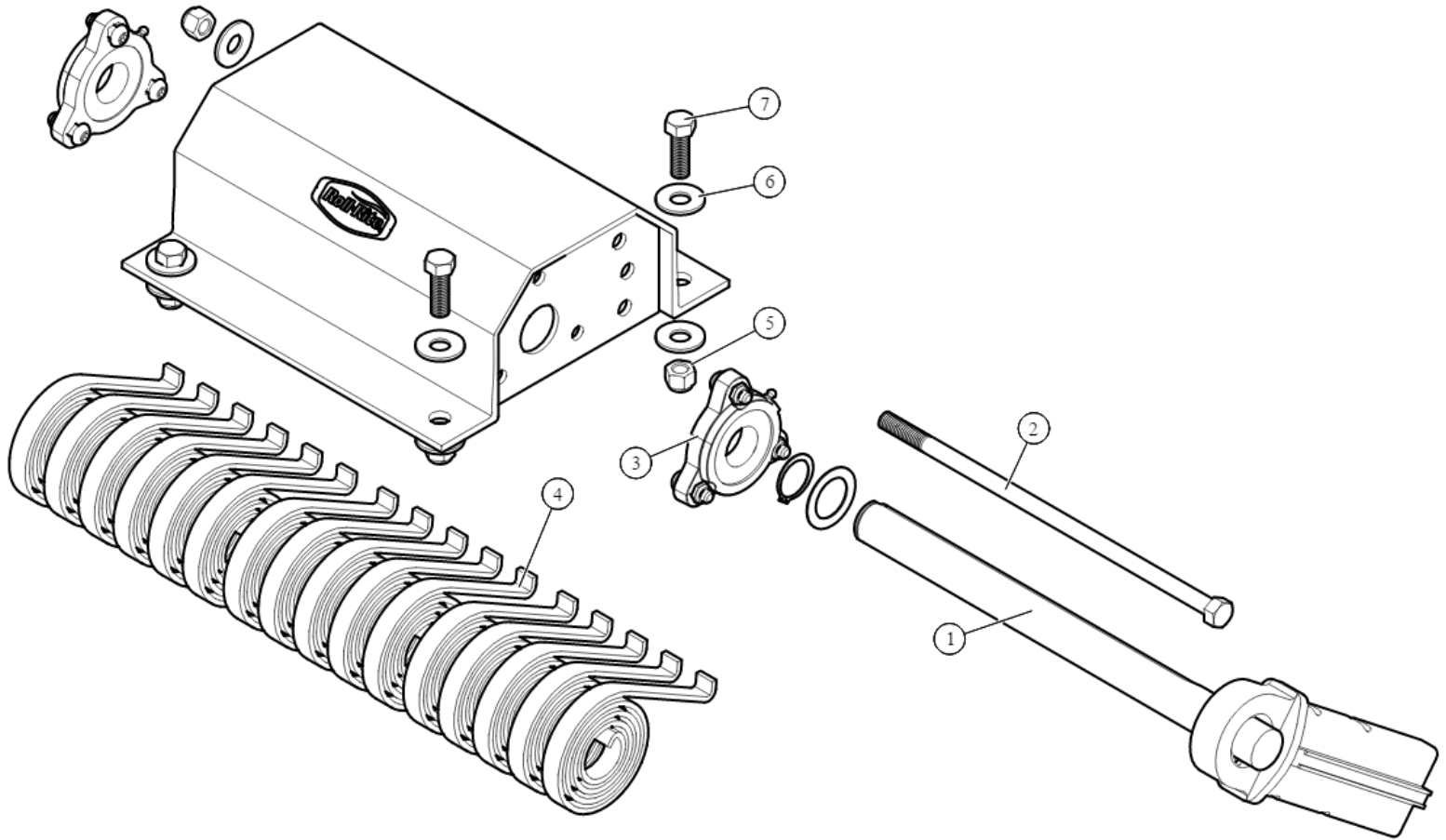
Part Number: 104276

104276 Pivot Set, 16 Spring with Tubes and Mounting Hardware



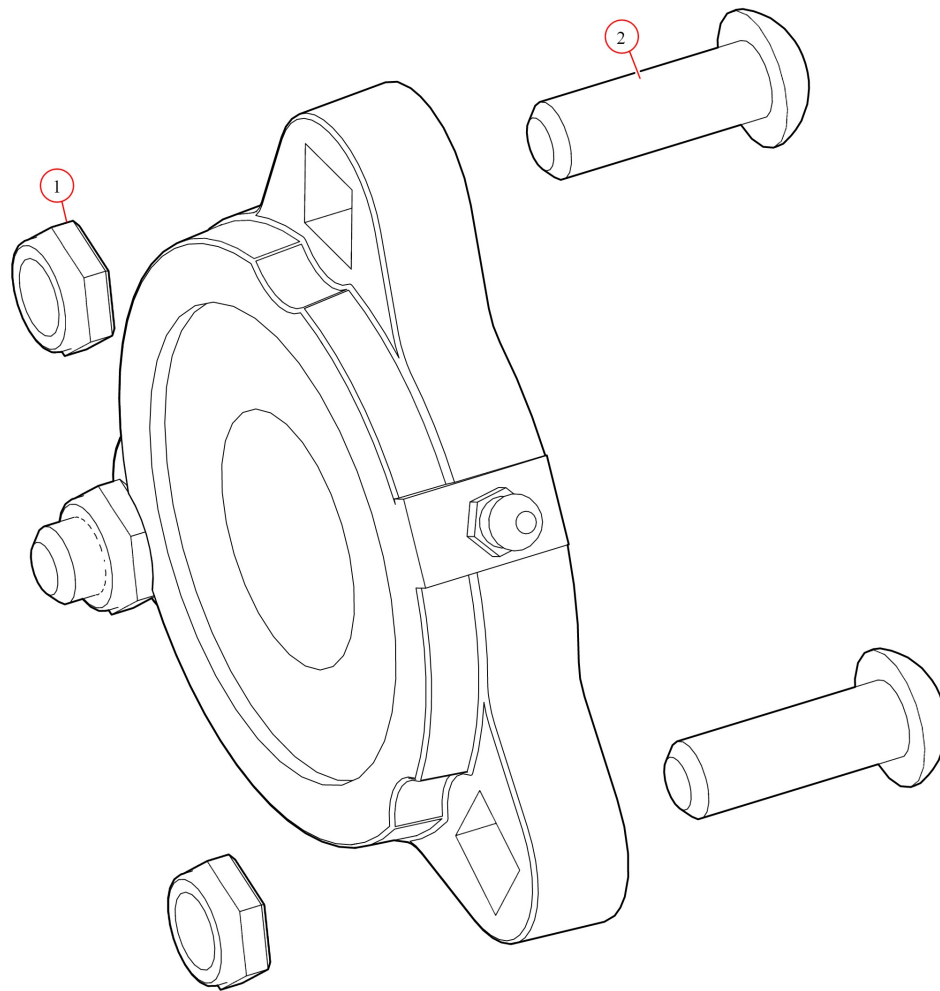
Bom ID	Part#	Description	qty
1	101188	Socket Tube (Drilled & Tapped - 160")	1
2	103626	Pivot Assembly. 16 Spring Ext Duty Top Mount w/out Tube - Passen...	1
3	103625	Pivot Assembly. 16 Spring Ext Duty Top Mount w/out Tube - Driver ...	1

103625 Pivot Assembly, 16 Spring Ext Duty Top Mount w/out Tube - Driver Side



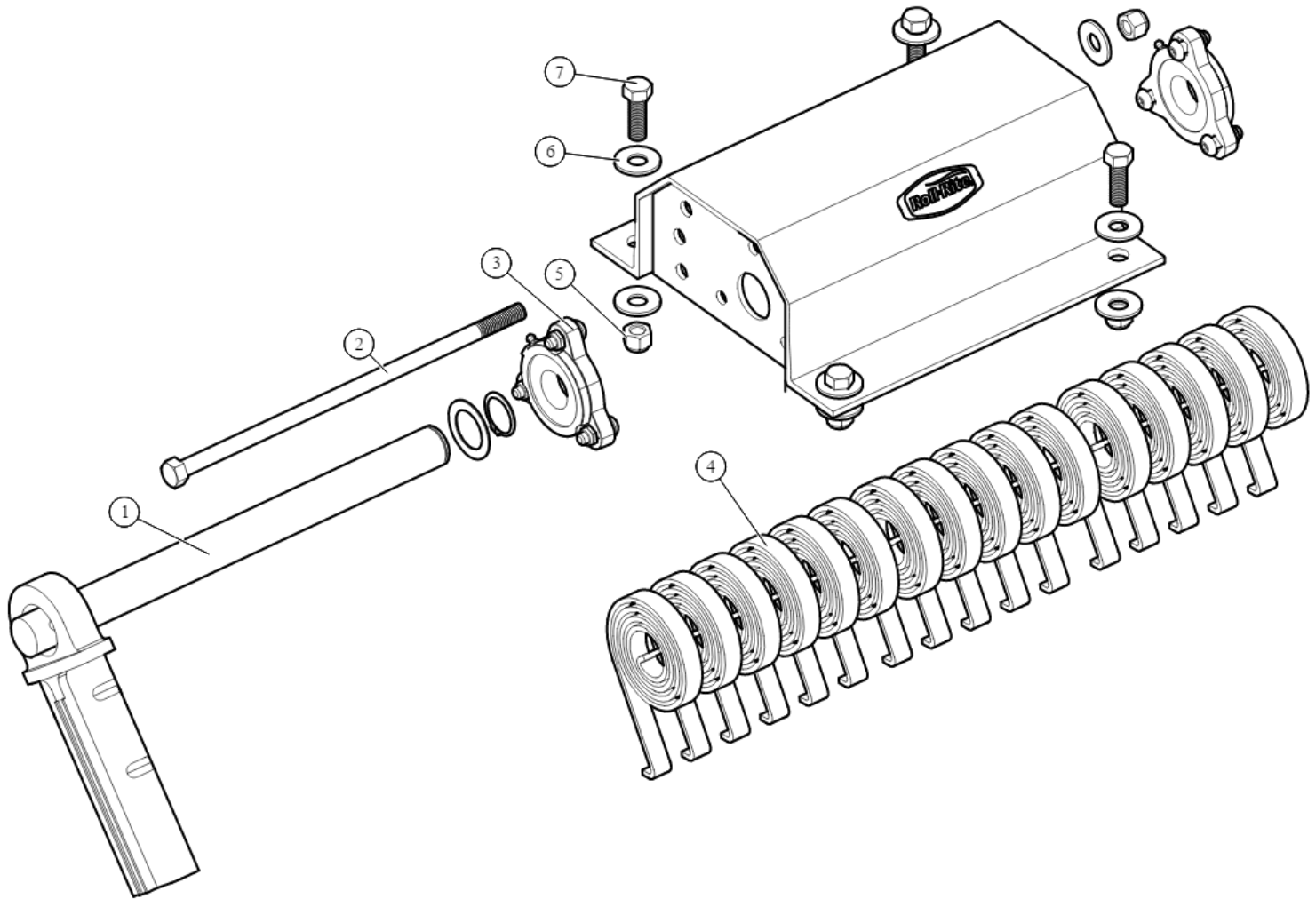
Bom ID	Part#	Description	qty
1	101004	Pivot Pin. for 16-Spring Ext Duty Roller Bearing - Driver	1
2	18575	Bolt. Bolt for Pin. 1/2" x 13 Zinc Hex Head Grade 5 - 16 spring box	1
3	47800	Bearing. Carrier Underbody Flanged	2
4	47230	Spring. Spiral Torsion Spring 1 1/4"	16
5	18631	Nut. 1/2" Nylock Nut	4
6	18412	Washer. 1/2" Flat Zinc	8
7	18296	Bolt. 1/2" x 1 1/2" Hex Head Bolt	4

47800 Bearing, Carrier Underbody Flanged



Bom ID	Part#	Description	qty
1	18628	Nut. Nylock nut 3/8" Jamb Nut	2
2	18242	Bolt. 3/8"-16 x 1 1/8" Button Head	2

103626 Pivot Assembly, 16 Spring Ext Duty Top Mount w/out Tube - Passenger Side



Bom ID	Part#	Description	qty
1	101005	Pivot Pin. for 16-Spring Ext Duty Roller Bearing - Pass	1
2	18575	Bolt. Bolt for Pin. 1/2" x 13 Zinc Hex Head Grade 5 - 16 spring box	1
3	47800	Bearing. Carrier Underbody Flanged	2
4	47230	Spring. Spiral Torsion Spring 1 1/4"	16
5	18631	Nut. 1/2" Nylock Nut	4
6	18412	Washer. 1/2" Flat Zinc	8
7	18296	Bolt. 1/2" x 1 1/2" Hex Head Bolt	4