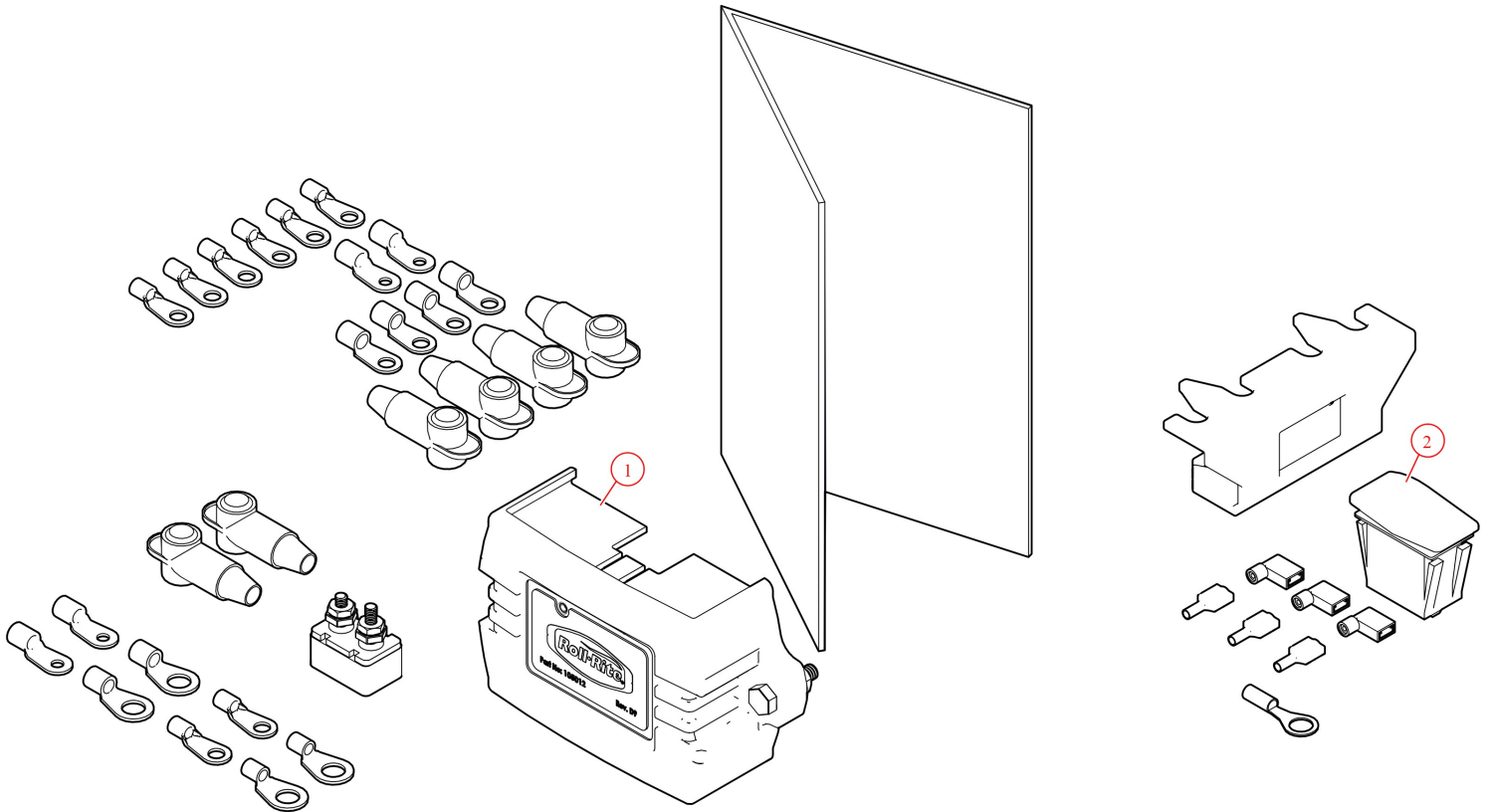


Electric Kit. Gen1+ Solid State Motor Control 12V SWD9 with
Rocker Switch

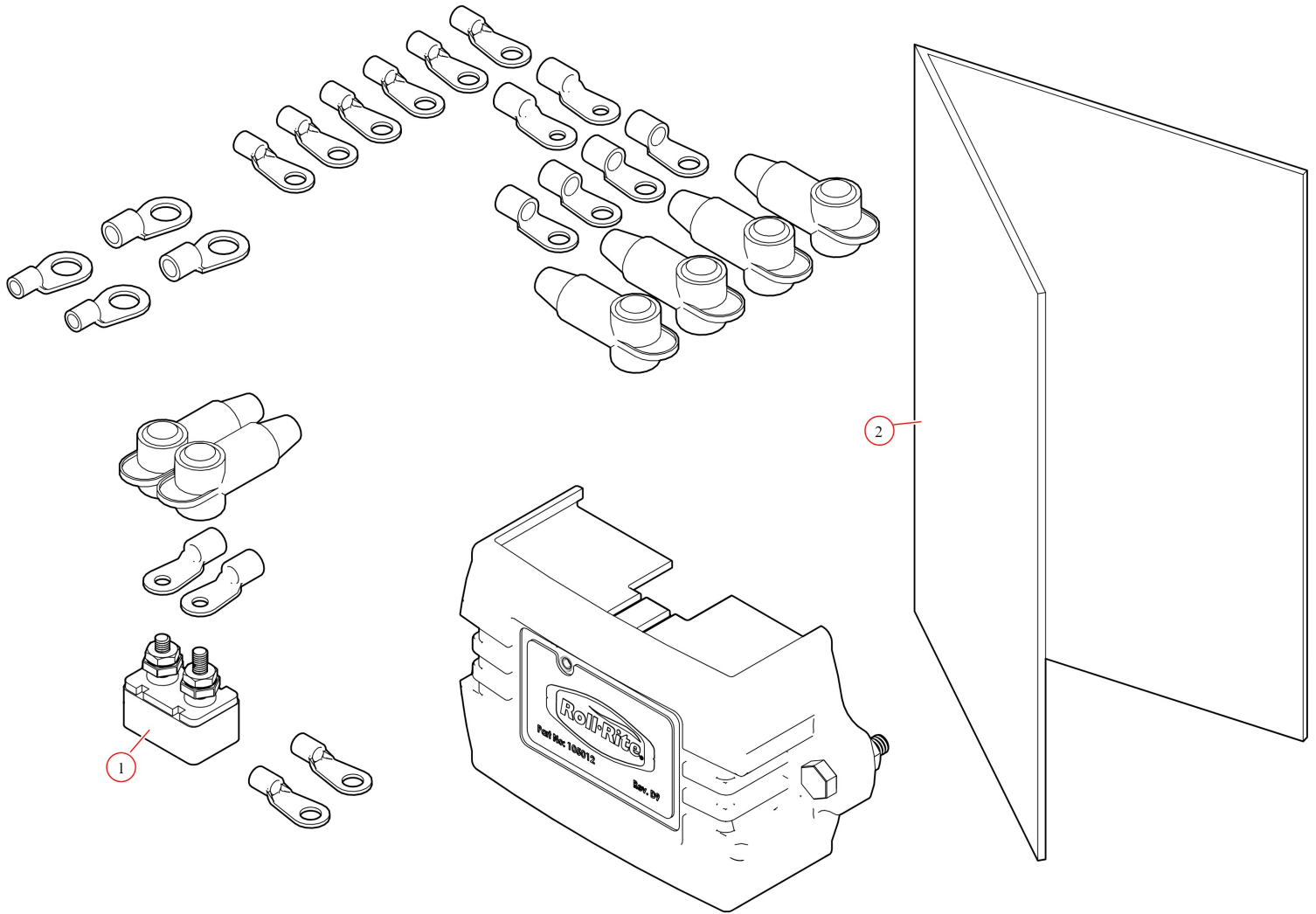
Part Number: 105118

105118 Electric Kit, Gen1+ Solid State Motor Control 12V SWD9 with Rocker Switch



Bom ID	Part#	Description	qty
1	105449	Relay Kit. Gen1+ SS Motor Control 12V SWD9	1

105449 Electric Kit, Gen1+ SS Motor Control 12V SWD9



Bom ID	Part#	Description	qty
1	101259	Breaker. 50 Amp Manual Reset Circuit Breaker for Rite Touch	1
2	105568	Instructions. Switch Wiring	1