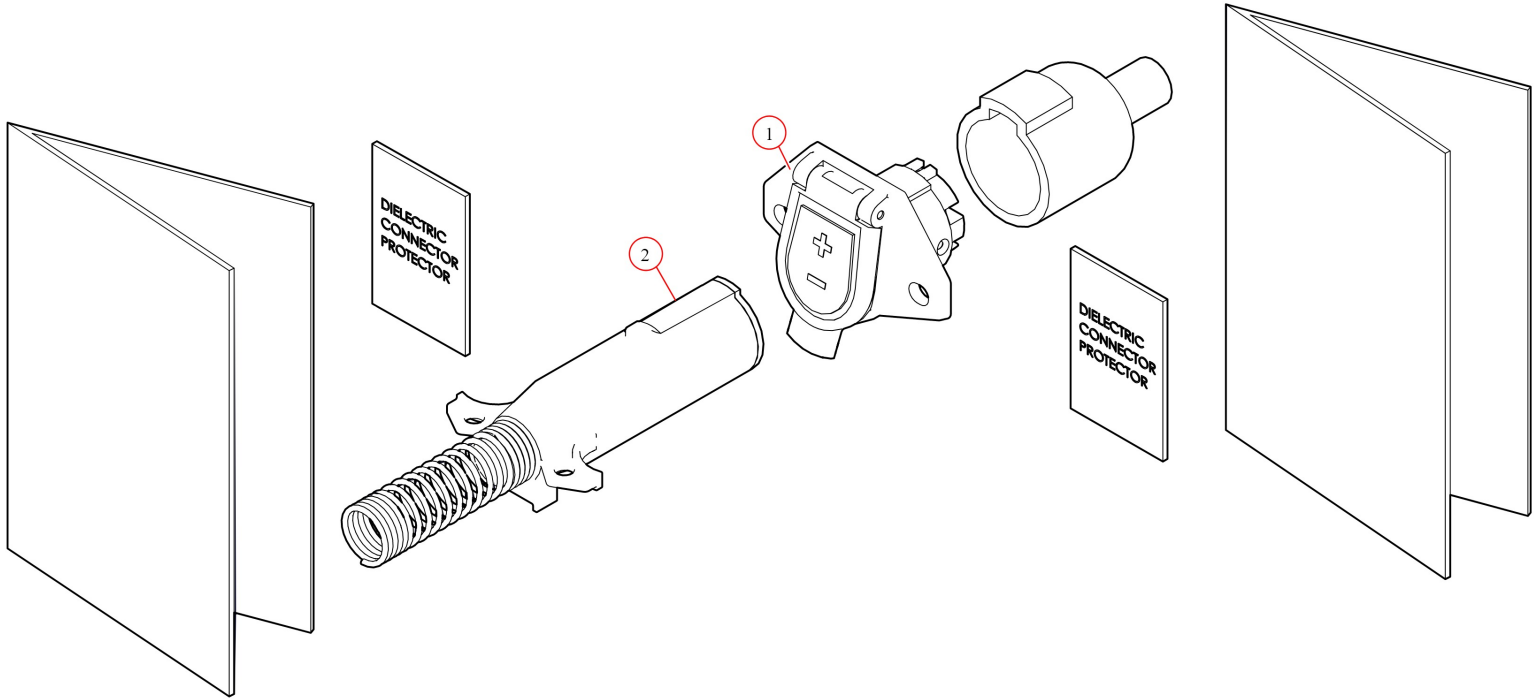


Plug Set. Sureflex Dual Conductor Vertical Pins

**Part Number: 12760**

12760 Plug Set Assembly, Dual Conductor, Vertical Pins



Bom ID	Part#	Description	qty
1	12770	Socket Assembly. Sureflex Dual Vertical Terminal	1
2	12780	Plug. Sureflex Dual Vertical Terminal	1