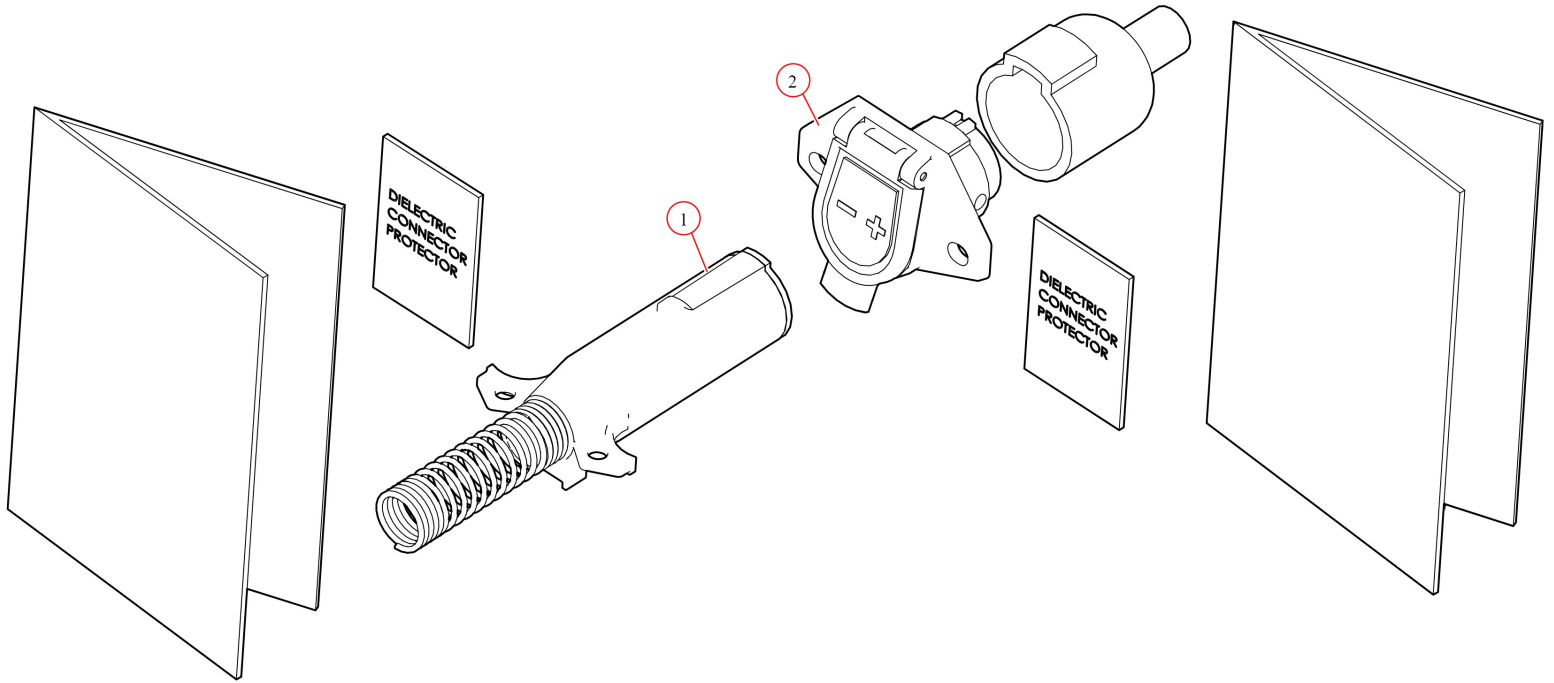


Plug Set. Sureflex Dual Conductor. Horizontal Pins

Part Number: 12860

12860 Plug Set Assembly, Dual Conductor, Horizontal Pins



Bom ID	Part#	Description	qty
1	12880	Plug Assembly. Dual Conductor. Horizontal Pins	1
2	12870	Socket Assembly. Sureflex Dual Horizontal Terminal	1