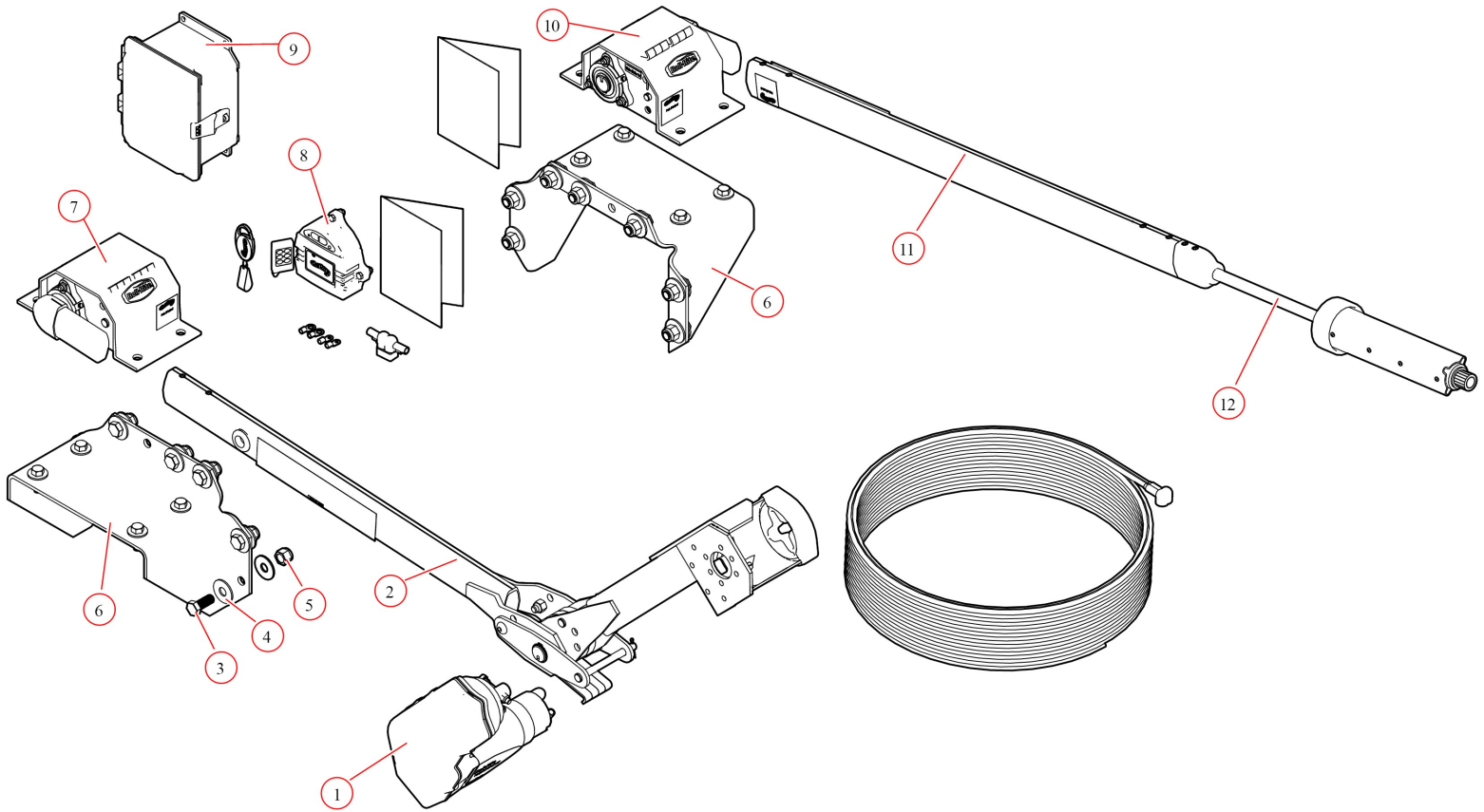


Rite-Lock Power Arm Kit. Dual Arm w/Short Cable Multiflex for 3"

Axle SN:TS

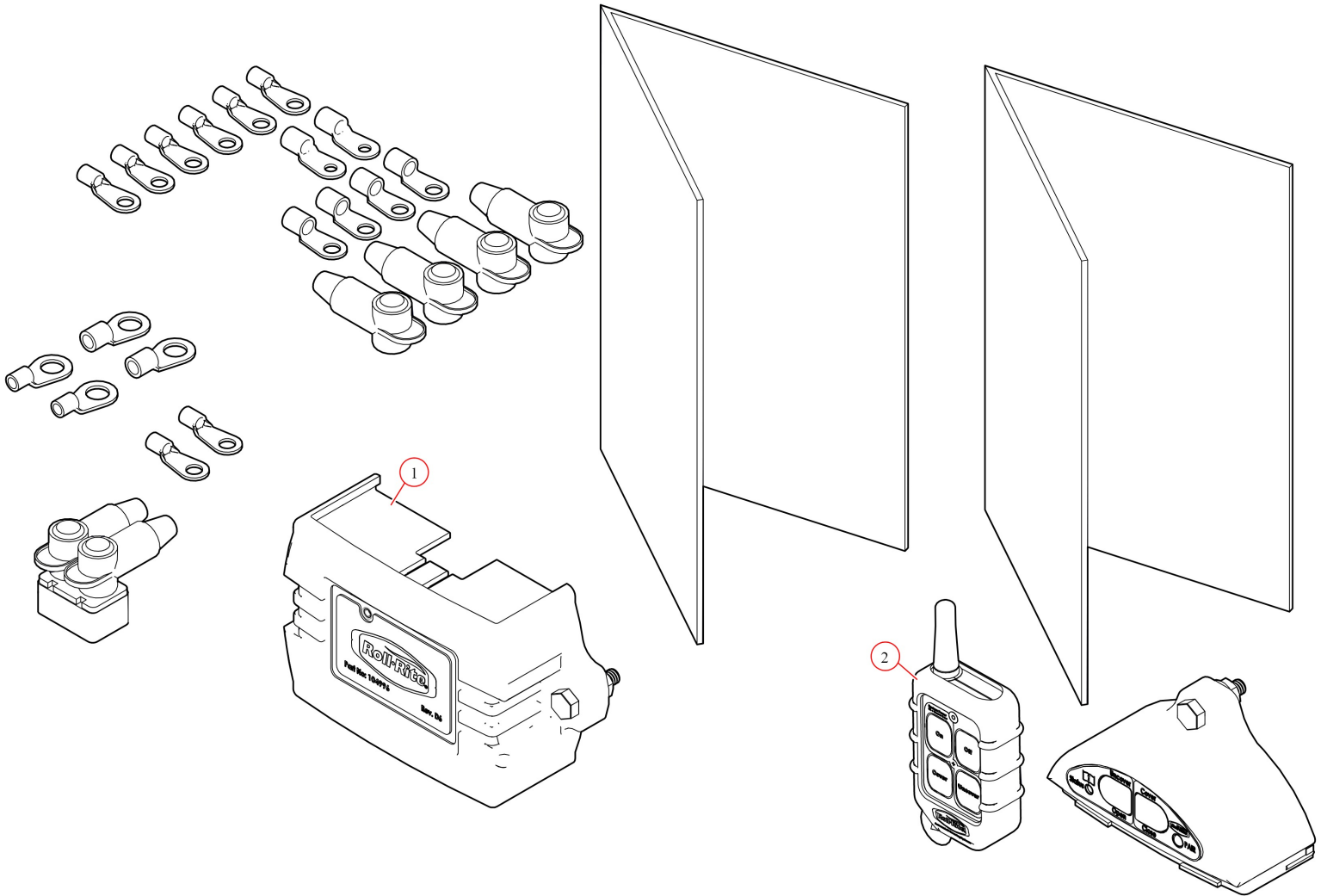
Part Number: 38615

38615 Power Kit, Dual ArmW/Short Cable Multiflex for 3" Axle



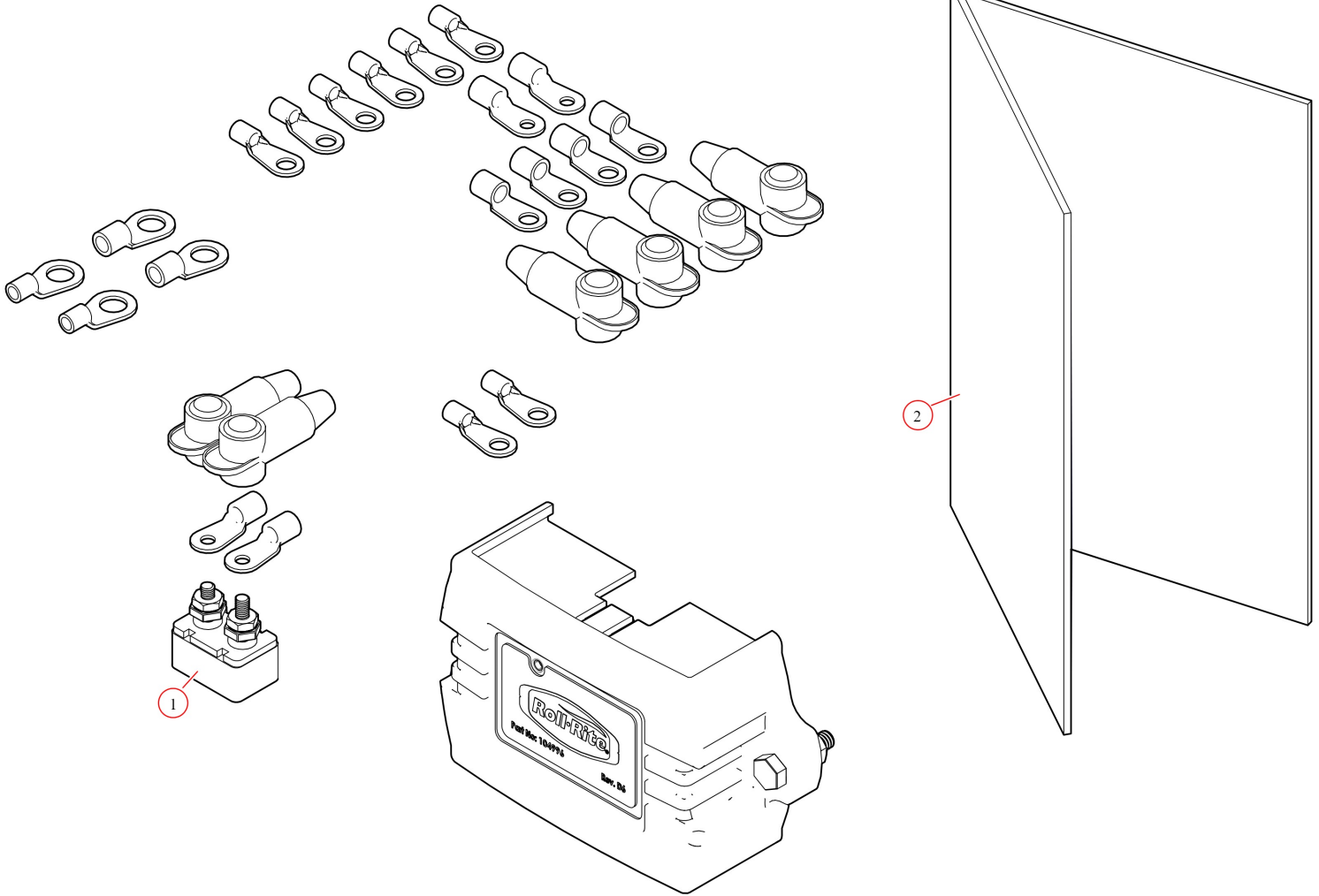
Bom ID	Part#	Description	qty
1	10200	TarpStretcher Motor 12V. 5 Year Warranty :S/N:	1
2	103616	Pivot Assembly. Front 4 Spring Knuckle Arm for End Dump 3' Axle	1
3	18710	Bolt. 5/8" x 1 1/2" Bolt Zinc	14
4	18414	Washer. 5/8" Flat Zinc	28
5	18635	Nut. 5/8" Nylock Nut	14
6	47200	Bracket. AL for Mounting Top Mnt Pivot to Vertical Surface	2
7	47470	Pivot Assembly. 8 Spring Top Mount Pivot w/out Tube - Drivers Side	1
8	101263	Electric Kit. Gen1+ Solid State Motor Control 12V SWD6 w/ 4 Button...	1
9	103641	Enclosure. Poly Box with Controller Mounting Plate	1
10	47480	Pivot Assembly. 8 Spring Top Mount Pivot w/out Tube - Passenger ...	1
11	103618	Pivot Tube. Alum 48" with Set Screws & Decals	1
12	103619	Pivot. Cable Asmb 3" Axle Rear Flex Arm Short Cable	1

101263 Electric Kit, Gen1+ Solid State Motor Control 12V SWD6 with RF



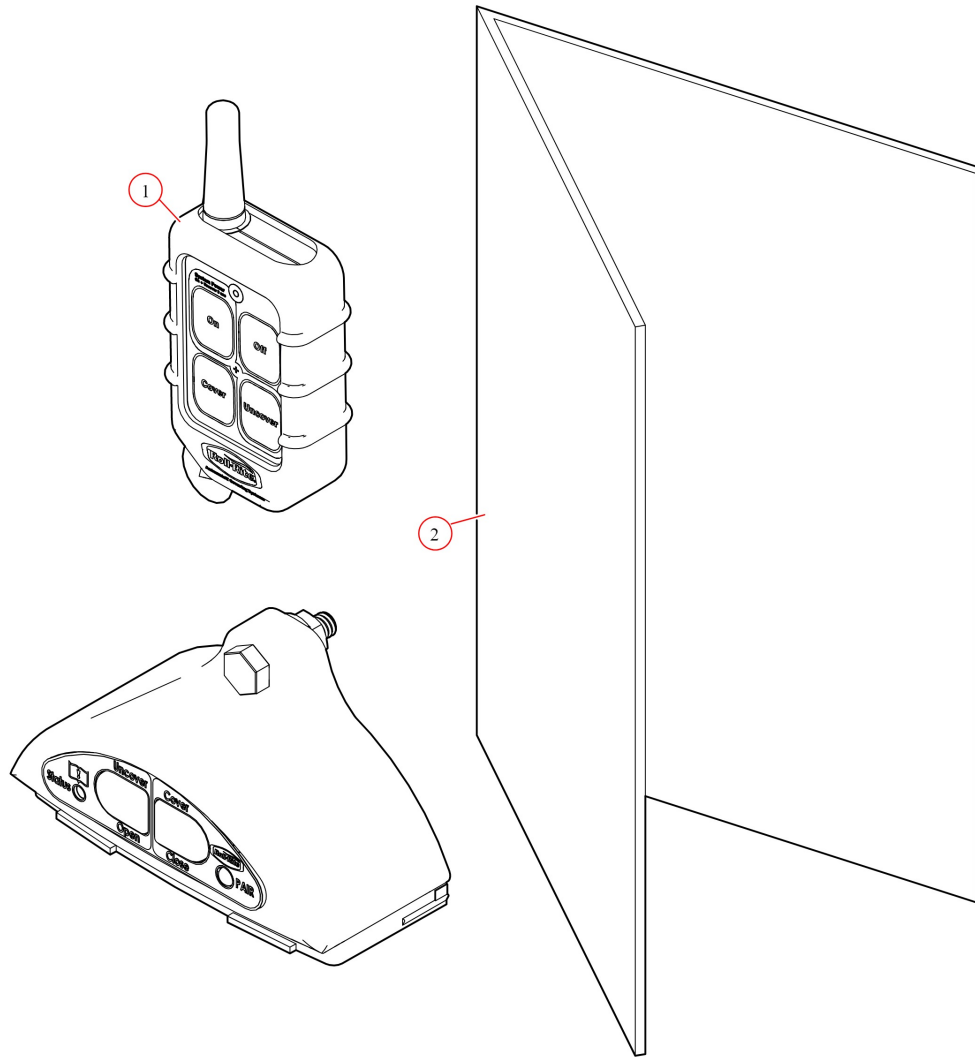
Bom ID	Part#	Description	qty
1	105446	Relay Kit. Gen1+ SS Motor Control 12V SWD6	1
2	11094	RF Switch System. 902-928MHz. w/4 Button Fob & Boot. for Gen1+ ...	1

105446 Electric Kit, Gen1+ SS Motor Control 12V SWD6



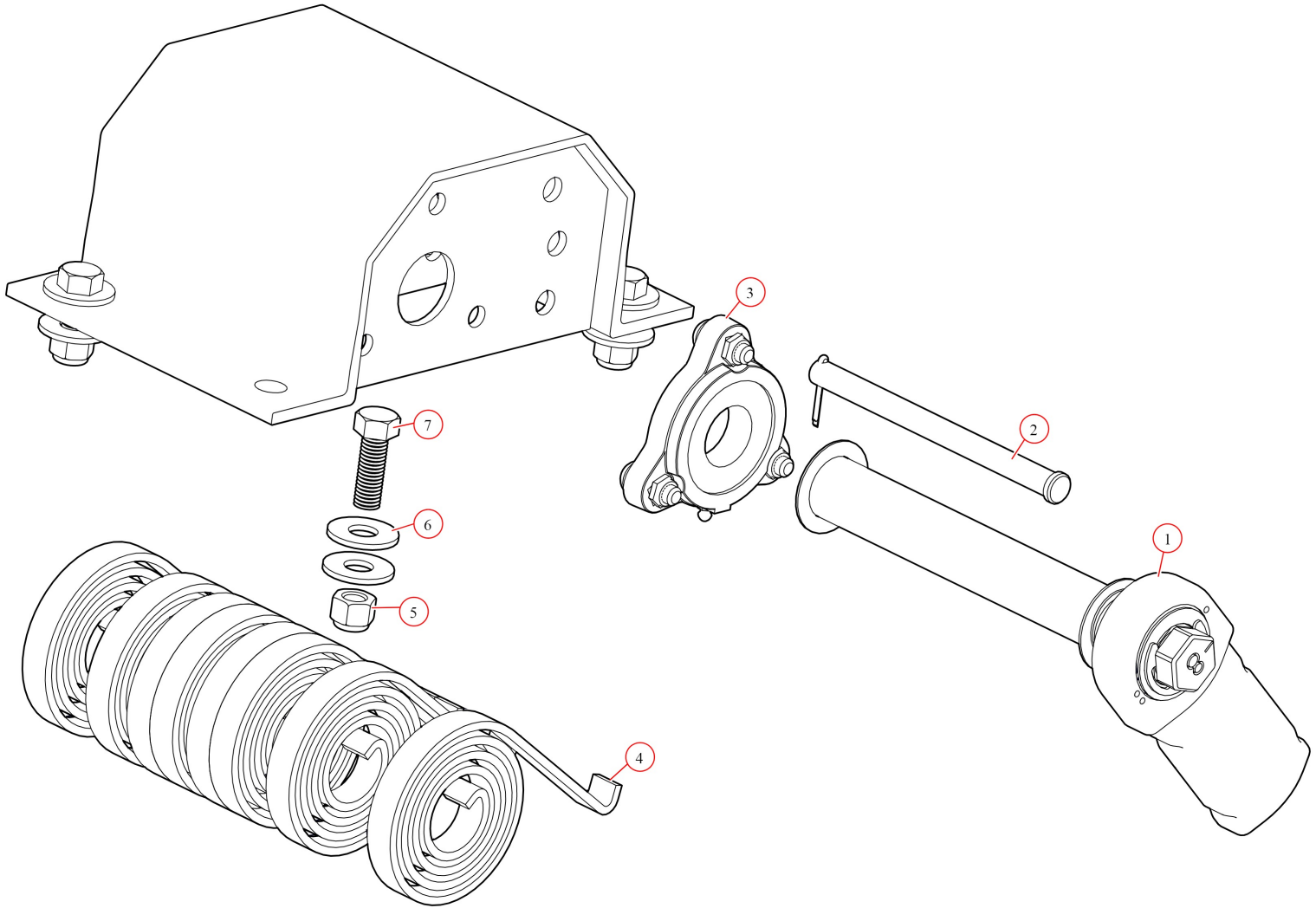
Bom ID	Part#	Description	qty
1	101259	Breaker. 50 Amp Manual Reset Circuit Breaker for Rite Touch	1
2	105568	Instructions. Switch Wiring	1

11094 RFSwitchSystem, 902-928MHz, Gen1+ TarpMotor Relay



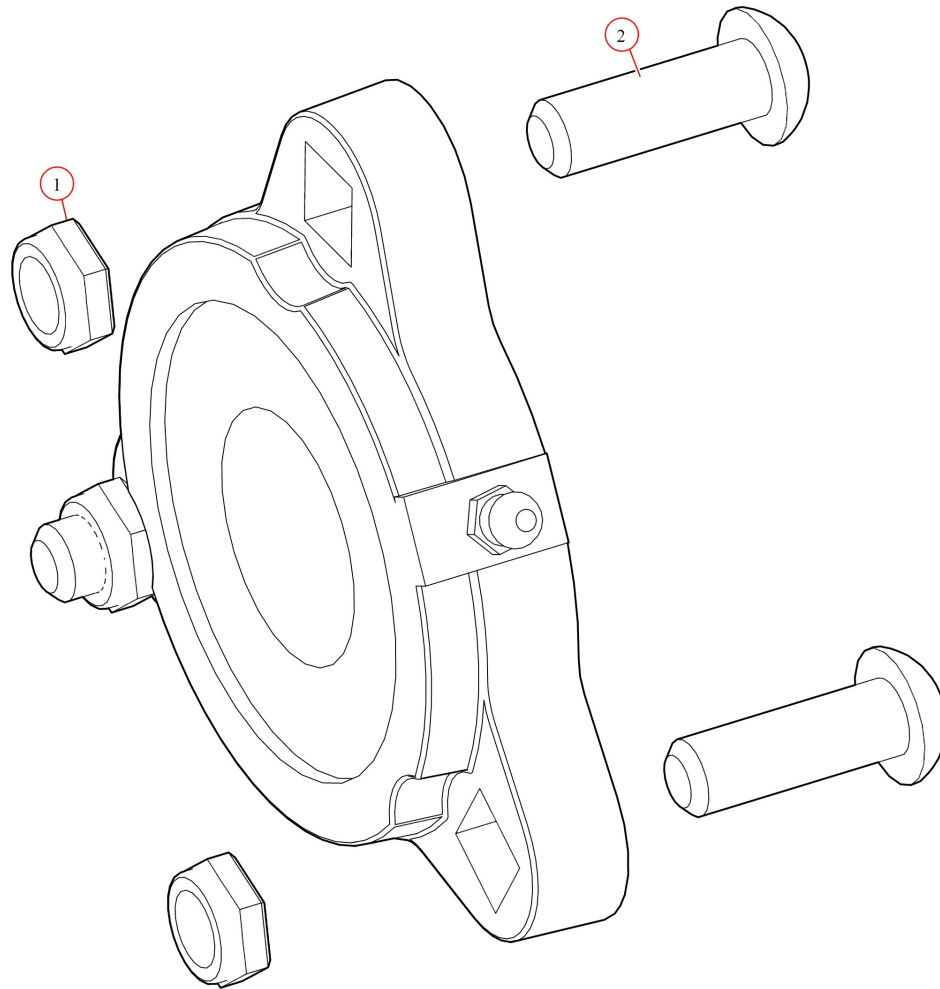
Bom ID	Part#	Description	qty
1	19894	RF Remote FOB. 902-928MHz.4 Button w/ Boot. for Gen1+ Relay	1

47470 ASSEMBLED 8 SPRING TOP MOUNT PIVOT BOX DRIVER SIDE



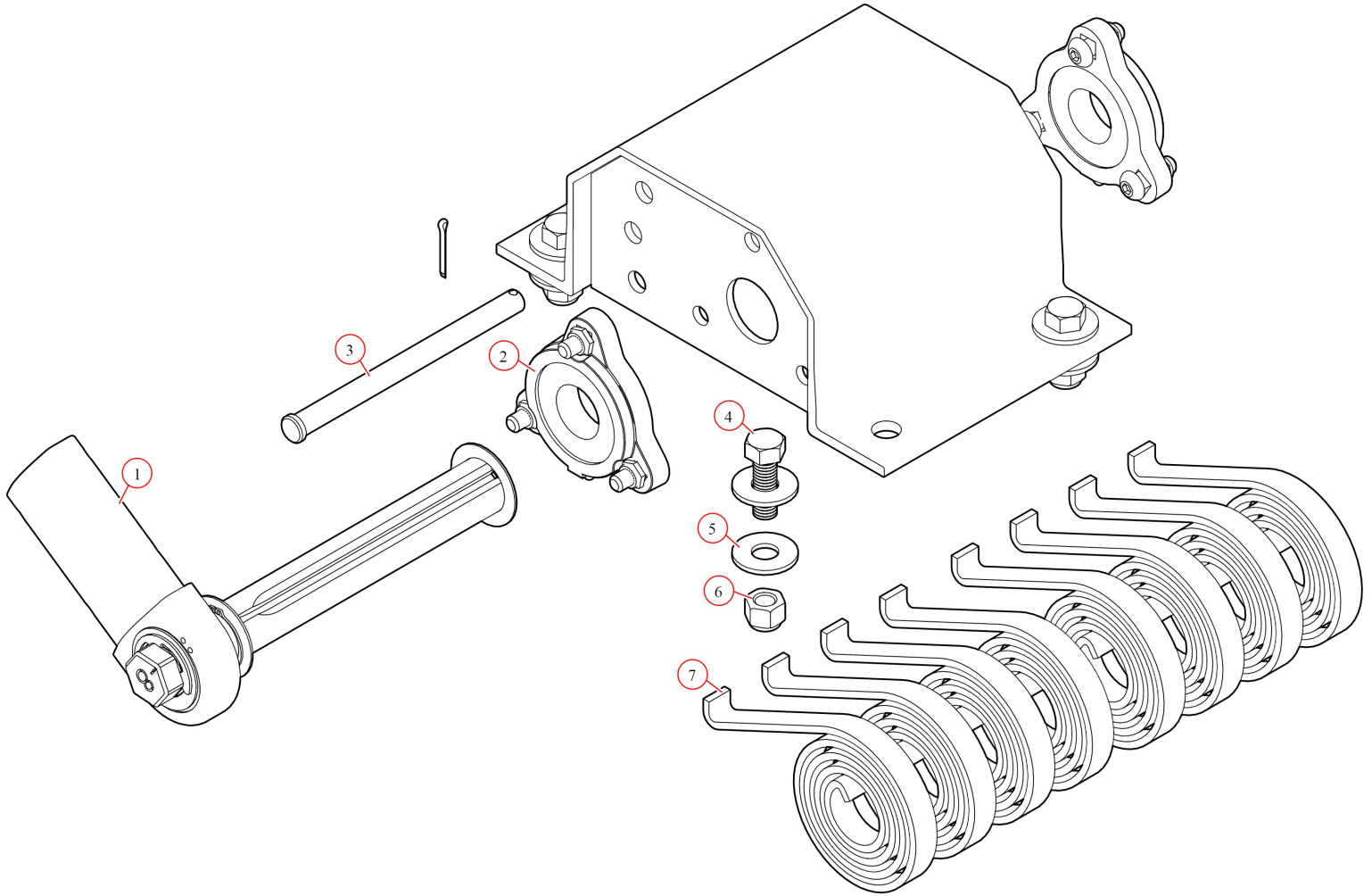
Bom ID	Part#	Description	qty
1	47400	Pivot Pin . for 8 Spring Roller Bearing Piv (Driv Side)	1
2	18550	Pin. 1/2" x 6-1/2" Clevis	1
3	47800	Bearing. Carrier Underbody Flanged	2
4	47230	Spring. Spiral Torsion Spring 1 1/4"	8
5	18631	Nut. 1/2" Nylock Nut	4
6	18412	Washer. 1/2" Flat Zinc	8
7	18296	Bolt. 1/2" x 1 1/2" Hex Head Bolt	4

47800 Bearing, Carrier Underbody Flanged



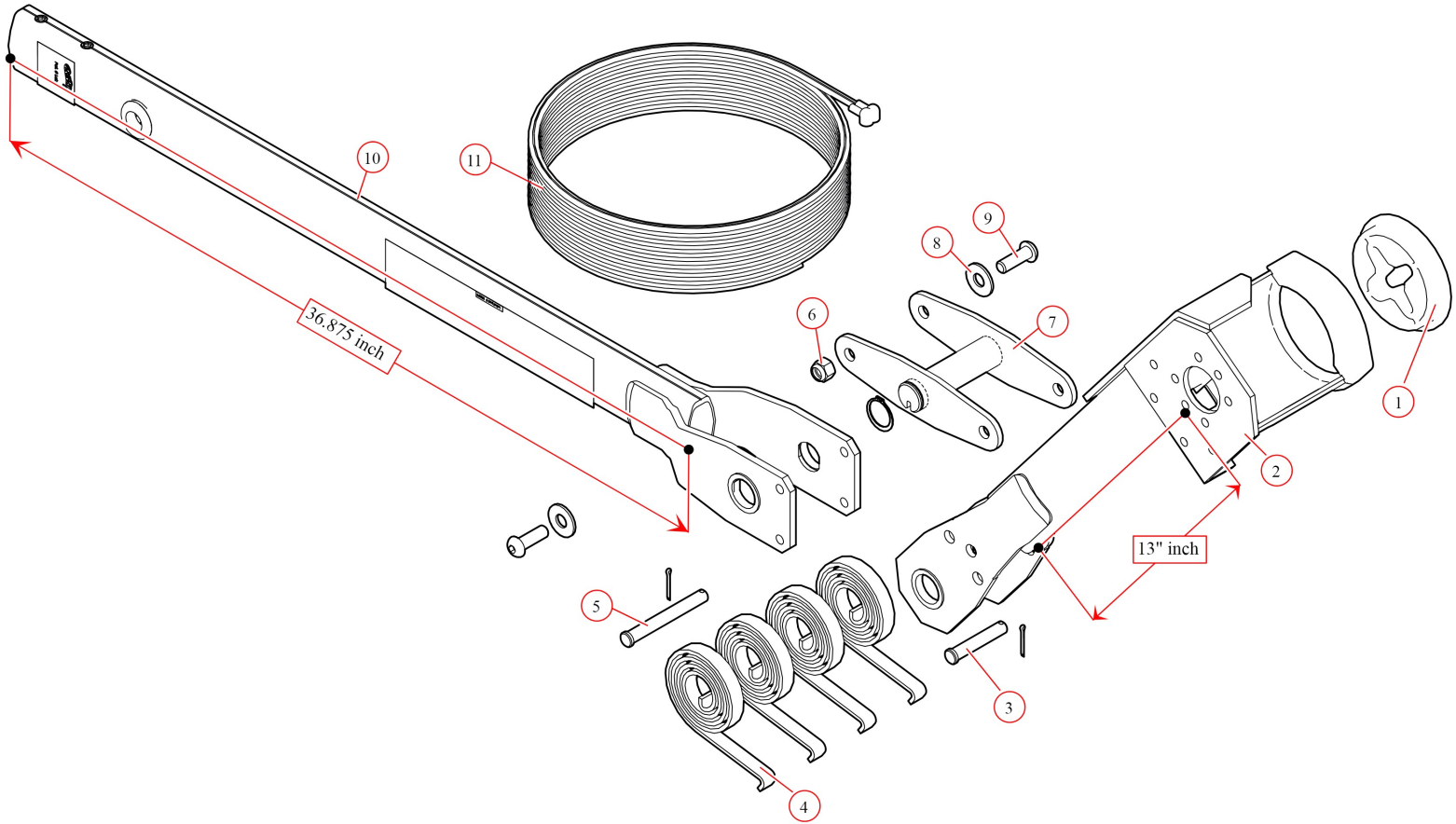
Bom ID	Part#	Description	qty
1	18628	Nut. Nylock nut 3/8" Jamb Nut	2
2	18242	Bolt. 3/8"-16 x 1 1/8" Button Head	2

47480 Pivot Assembly, 8 Spring Top Mount Pivot w/out Tube - Passenger Side



Bom ID	Part#	Description	qty
1	47410	Pivot Pin. for 8 Spring Roller Bearing Pivot Passenger Side	1
2	47800	Bearing. Carrier Underbody Flanged	2
3	18550	Pin. 1/2" x 6-1/2" Clevis	1
4	18296	Bolt. 1/2" x 1 1/2" Hex Head Bolt	4
5	18412	Washer. 1/2" Flat Zinc	8
6	18631	Nut. 1/2" Nylock Nut	4
7	47230	Spring. Spiral Torsion Spring 1 1/4"	8

103616 Pivot Assy Front 4 Spring Knuckle Arm for End Dump 3' Axle



Bom ID	Part#	Description	qty
1	37570	Bushing. Axle Stabilizer for Standard Axle	1
2	102197	Pivot Tube. Front Upper for 4 Spr Knuckle W/ bushing 13.06" Tube	1
3	18510	Pin. 1/2" x 2-3/4" Clevis	1
4	47230	Spring. Spiral Torsion Spring 1 1/4"	4
6	18631	Nut. 1/2" Nylock Nut	2
7	47970	Bracket. 4 Sp Knuckle pin w/ stop plate for SS pvt. mtr end	1
8	18412	Washer. 1/2" Flat Zinc	4
9	18295	Bolt. 1/2" x 1 1/2" Button Head Bolt	2
10	102267	Pivot Tube. Long Base w/Side plates and Set Screws for Side Dump...	1
11	11336	Wire. 6 ga. Dual Conductor - 55ft	1