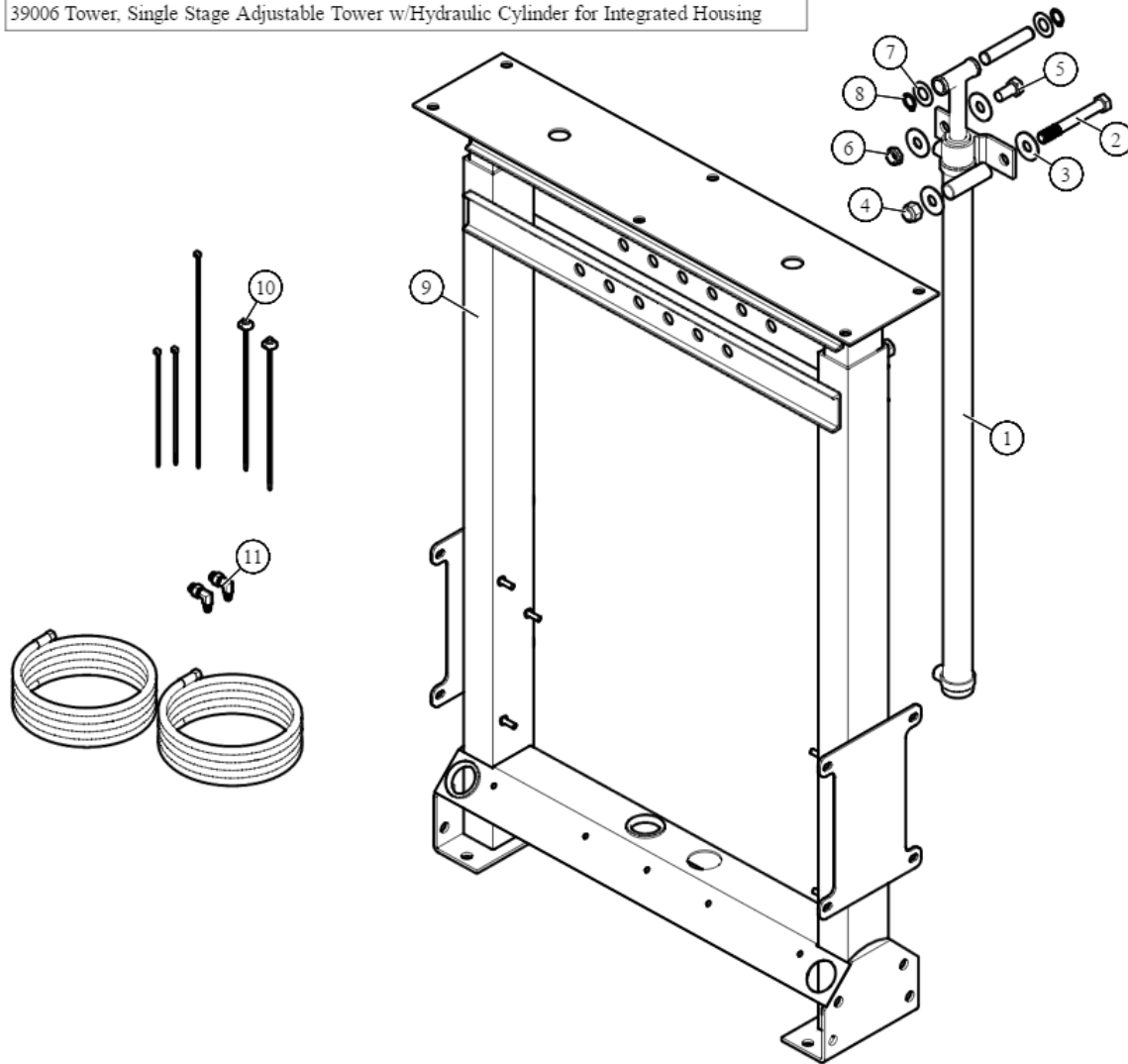


[Tower. Single Stage Steel Tower w/Hydraulic Cylinder for  
Integrated Housing](#)

**Part Number: 39006**

39006 Tower, Single Stage Adjustable Tower w/Hydraulic Cylinder for Integrated Housing



Bom ID	Part#	Description	qty
1	39520	Cylinder. 1.5" Bore x 36" Stroke DA. Single Flange Mount	2
2	100749	Bolt. 5/8" x 5" Bolt Zinc	1
3	18414	Washer. 5/8" Flat Zinc	4
4	18635	Nut. 5/8" Nylock Nut	1
5	18715	Bolt. 5/8"-11 x 1 1/4" Hex Head G5 Bolt Zinc	1
6	18716	Nut. 5/8" Nylock Jamb Nut Zinc	1
7	47030	Bushing. Pivot 3/4" Machinery Bushing	2
8	47020	Snap Ring. for Stub Shaft 3/4" for side to side	1
9	39004	Tower. Stationary Tower for Integrated Housing	1