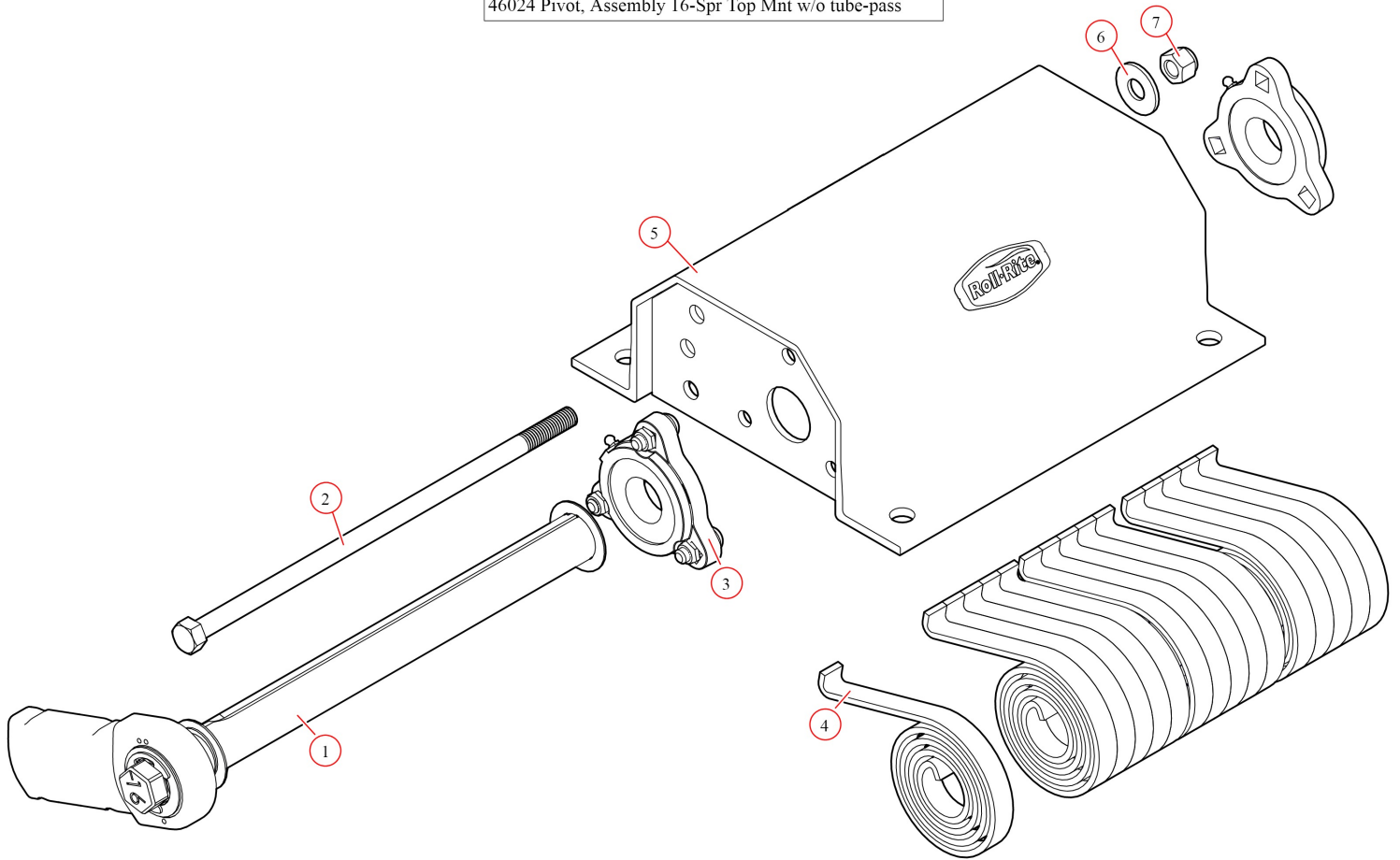


[Pivot Assembly. 16 Spring Top Mount w/out Tube - Passenger](#)

[Side](#)

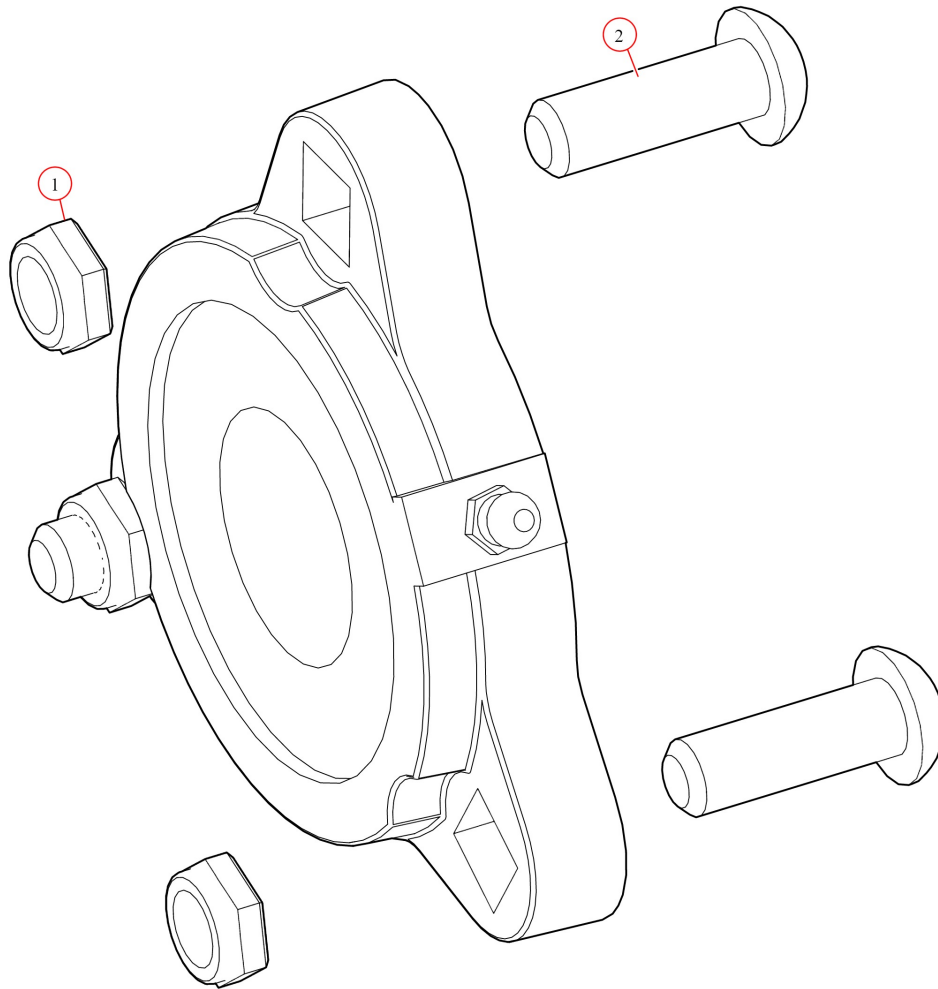
Part Number: 46024

46024 Pivot, Assembly 16-Spr Top Mnt w/o tube-pass



Bom ID	Part#	Description	qty
1	46408	Pivot Pin. for 16-Spring Roller Bearing Pivot - Passenger	1
2	18575	Bolt. Bolt for Pin. 1/2" x 13 Zinc Hex Head Grade 5 - 16 spring box	1
3	47800	Bearing. Carrier Underbody Flanged	2
4	47230	Spring. Spiral Torsion Spring 1 1/4"	16
5	46409	Pivot Box. Bracket for 16-Spring Top Mount Pivot (each)	1
6	18412	Washer. 1/2" Flat Zinc	1
7	18631	Nut. 1/2" Nylock Nut	1

47800 Bearing, Carrier Underbody Flanged



Bom ID	Part#	Description	qty
1	18628	Nut. Nylock nut 3/8" Jamb Nut	2
2	18242	Bolt. 3/8"-16 x 1 1/8" Button Head	2