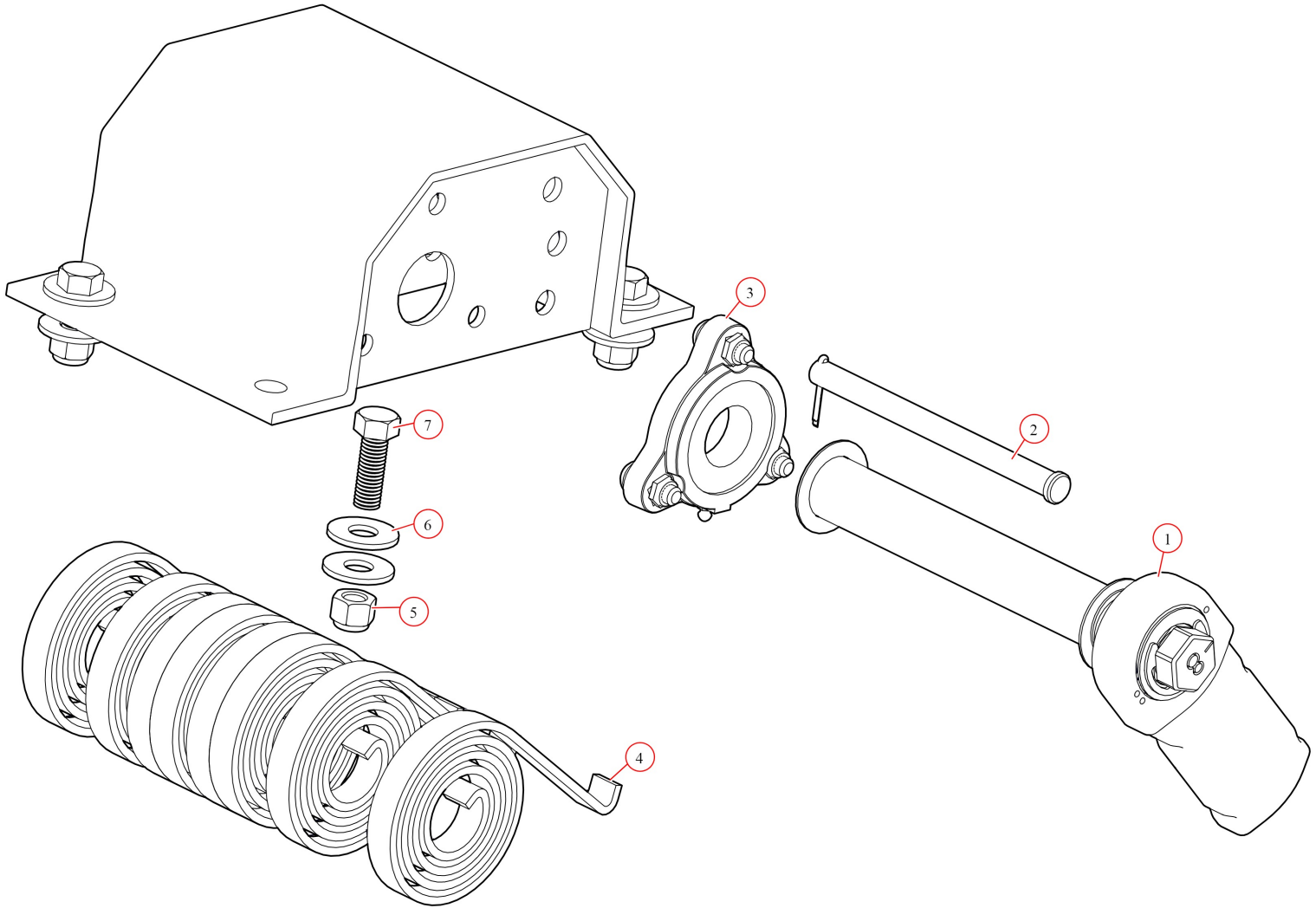


[Pivot Assembly. 8 Spring Top Mount Pivot w/out Tube - Drivers](#)

[Side](#)

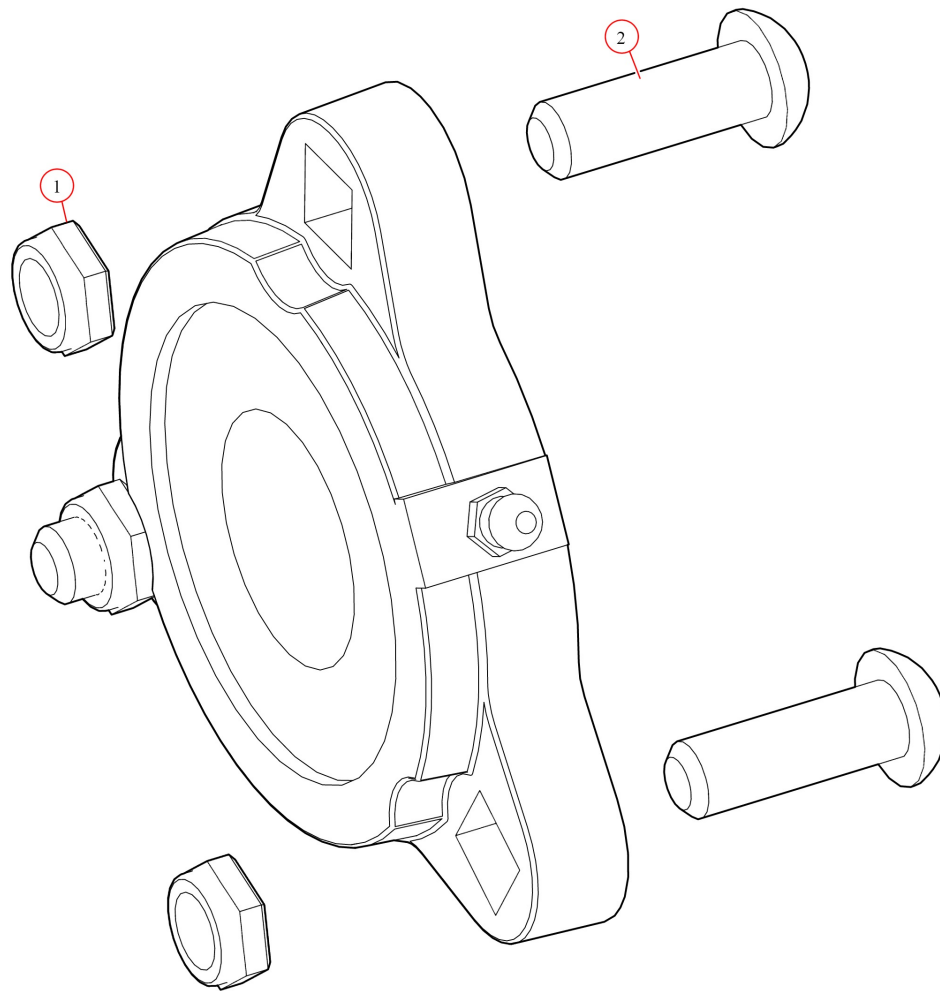
Part Number: 47470

47470 ASSEMBLED 8 SPRING TOP MOUNT PIVOT BOX DRIVER SIDE



Bom ID	Part#	Description	qty
1	47400	Pivot Pin . for 8 Spring Roller Bearing Piv (Driv Side)	1
2	18550	Pin. 1/2" x 6-1/2" Clevis	1
3	47800	Bearing. Carrier Underbody Flanged	2
4	47230	Spring. Spiral Torsion Spring 1 1/4"	8
5	18631	Nut. 1/2" Nylock Nut	4
6	18412	Washer. 1/2" Flat Zinc	8
7	18296	Bolt. 1/2" x 1 1/2" Hex Head Bolt	4

47800 Bearing, Carrier Underbody Flanged



Bom ID	Part#	Description	qty
1	18628	Nut. Nylock nut 3/8" Jamb Nut	2
2	18242	Bolt. 3/8"-16 x 1 1/8" Button Head	2