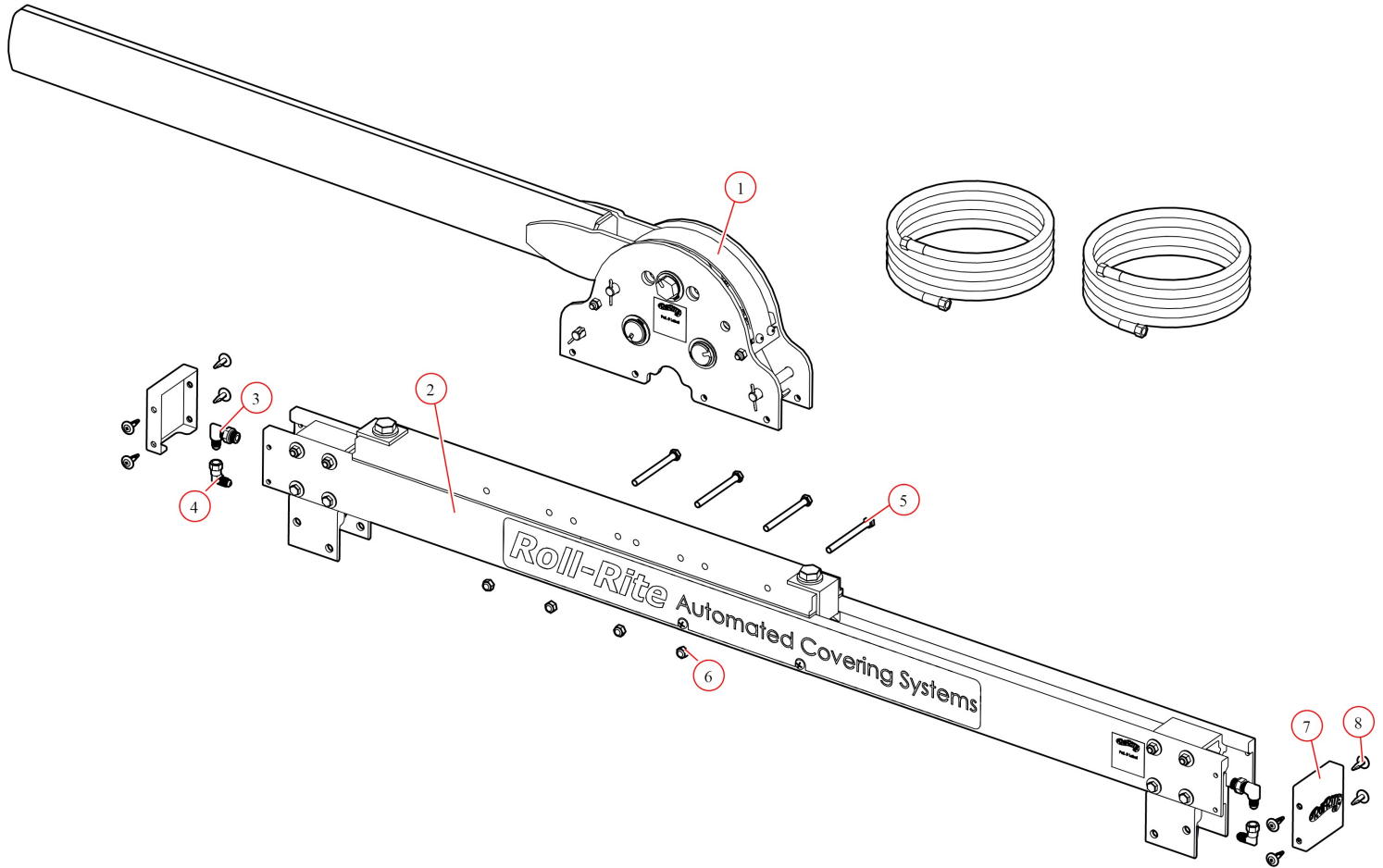


Pivot Driver. Narrow Side Assembled Sliding Pivot w/out Tubes

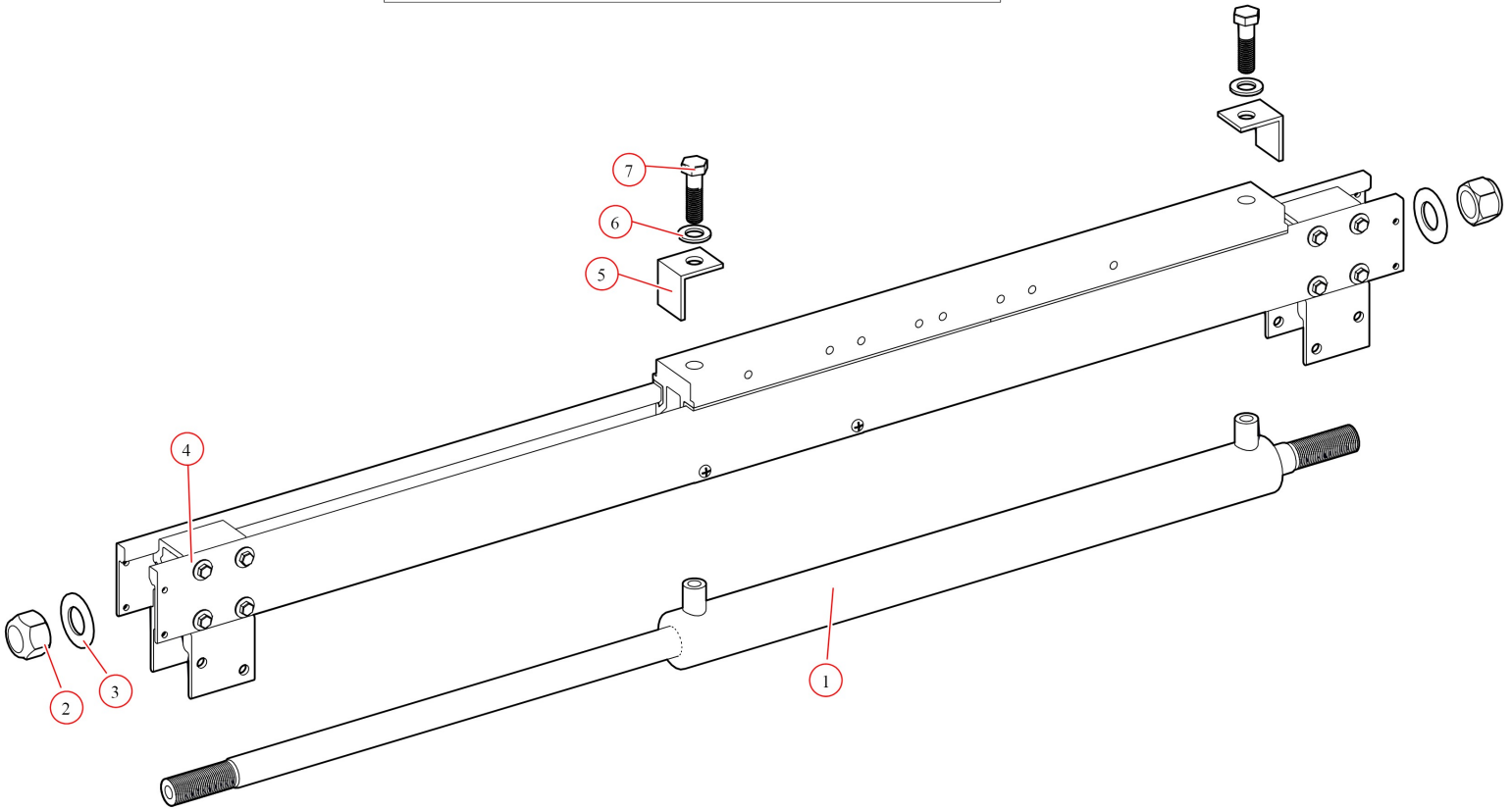
Part Number: 47731

47731 Pivot Driver Side Assembly



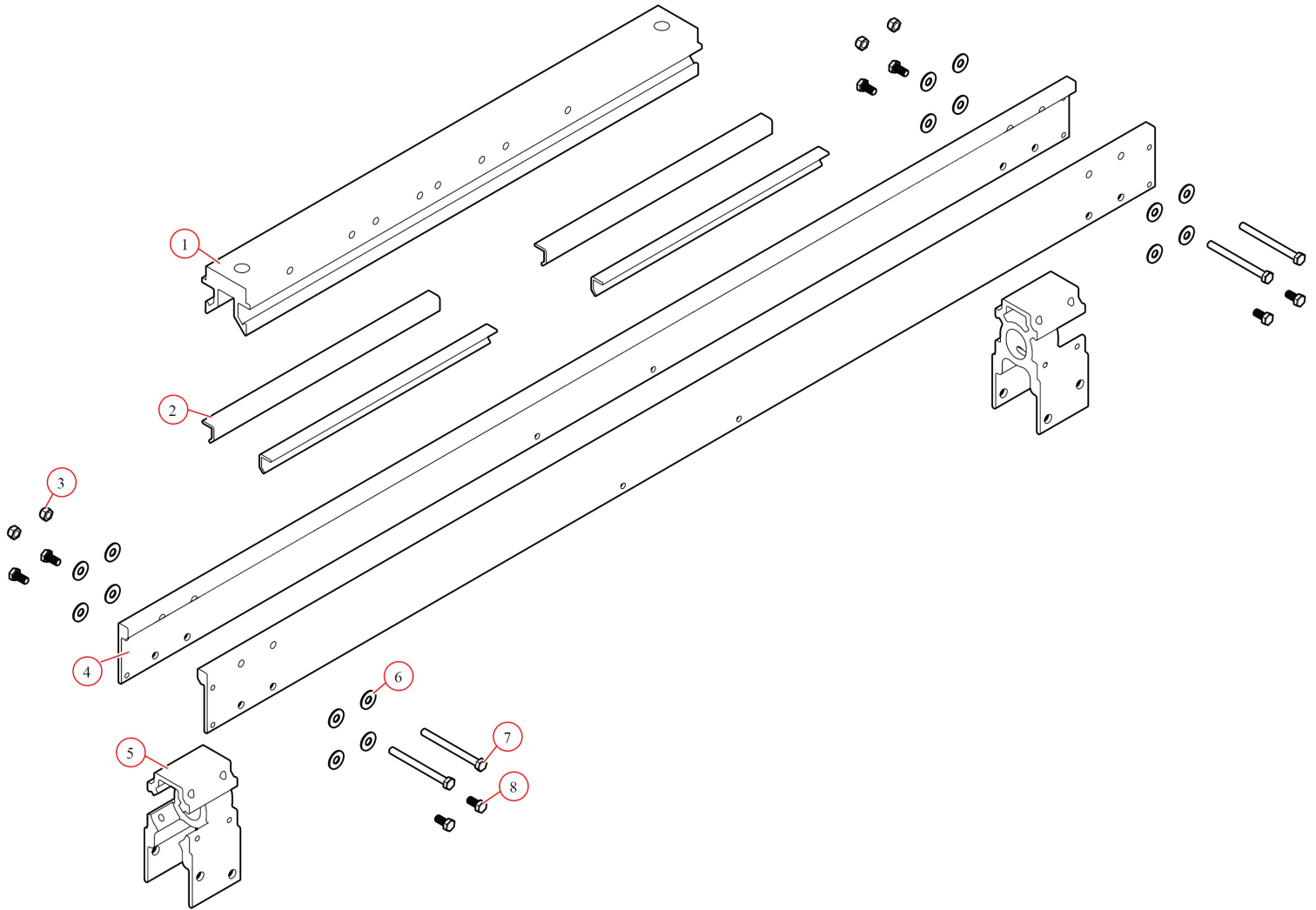
Bom ID	Part#	Description	qty
1	47733	Pivot Assembly. Sliding Pivot Spring Pack Narrow Profile - Driver	1
2	47735	Pivot Assembly. Sliding Pivot Narrow Assembly Mount w/Cylinder	1
3	39098	Adapter. 90 #4 Male Tube to #6 Adj Male Oring	2
4	39297	Adapter. 90 #4 Male tube to #4 37° female swivel	2
5	18223	Bolt. 5/16" x 3 1/2" Hex Head Bolt zinc Grade 5	4
6	18613	Nut. 5/16" Nylock Nut	4
7	36314	Cap. End cap w/ logo for Nrw Sliding Pivot	2
8	18308	Rivet. Push Rivet for Pump Cover - Plastic	8

47735 Pivot Assem, Sliding Pivot Nrw Assembly Mount with Cylinder



Bom ID	Part#	Description	qty
1	47784	Cylinder. Hydraulic only for 2' Sliding Pivot (each)	1
2	18645	Nut. 1- 1/8" Nylock Nut	2
3	18420	Washer. 1-1/8" SAE Flat Zinc	2
4	100389	Pivot Assembly. Sliding Pivot Narrow Assembly Mount	1
5	46734	Bracket. Guide Retainer for Narrow Sliding Pivot Sliding Rail	2
6	18417	Washer. 5/8" Flat SAE. Zinc	2
7	18712	Bolt. 5/8" x 2 1/4 Hex Head	2

100389 Pivot, Slide Assembly for Super Slider



Bom ID	Part#	Description	qty
1	46731	Side Rail. Slide Rail for Narrow Sliding Pivot 28.25"	1
2	46889	Bushing. Sliding Bushing for Nrw Pivot 14.125 Each	4
3	18613	Nut. 5/16" Nylock Nut	4
4	46732	Extrusion. Outer Ext for Nrw sliding pivot 59.25"	2
5	46733	Extrusion. Pivot Mount for Nrw sliding pivot 3"	2
6	18400	Washer. 5/16" USS Flat Zinc	16
7	18223	Bolt. 5/16" x 3 1/2" Hex Head Bolt zinc Grade 5	4
8	102706	Bolt. 5/16" x 5/8" Hex Head Bolt zinc Grade 5	8