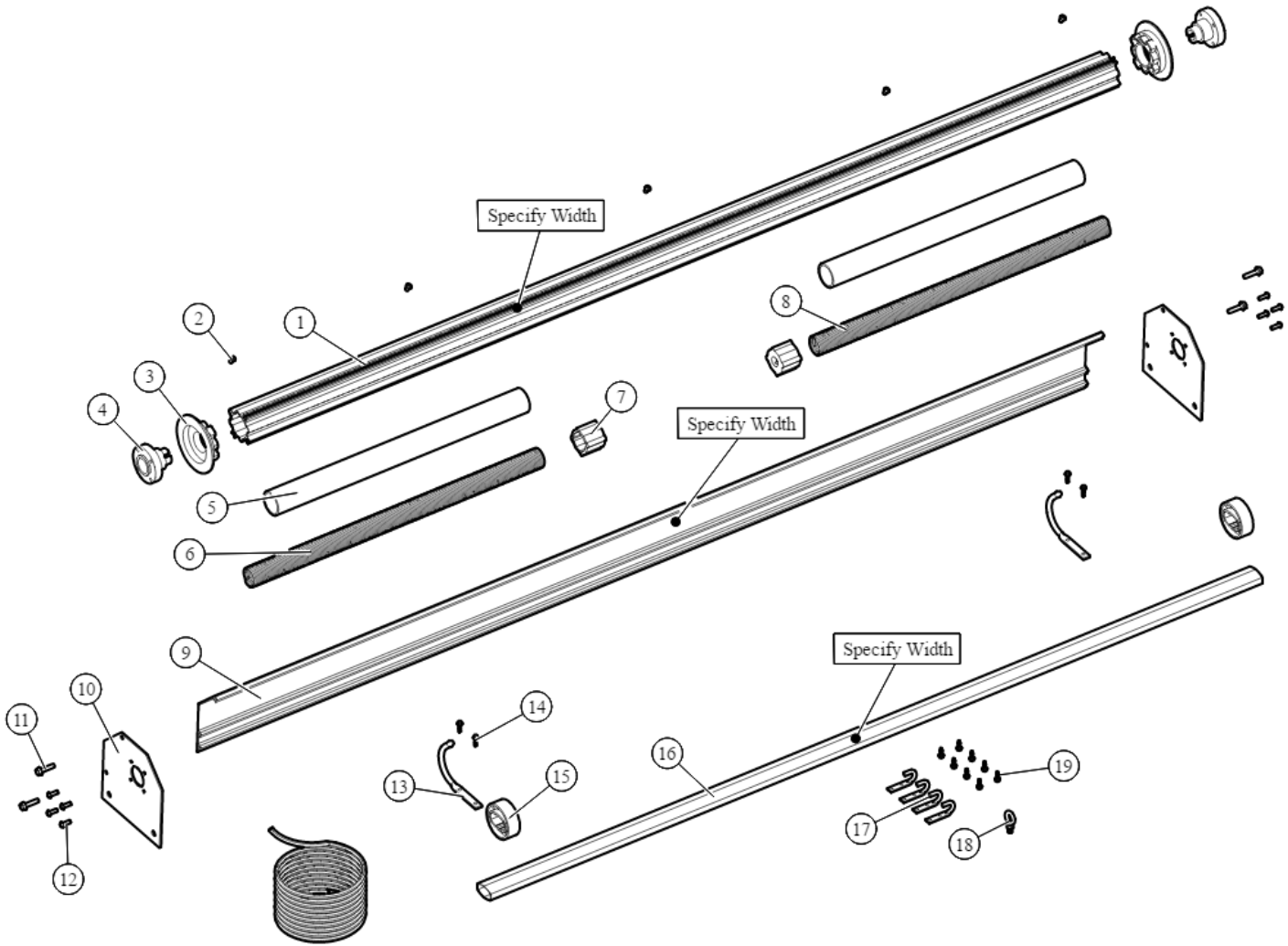




Semi-Automatic. Tarp System for Light Trucks w/Tarp (specify width)

Part Number: 62XX

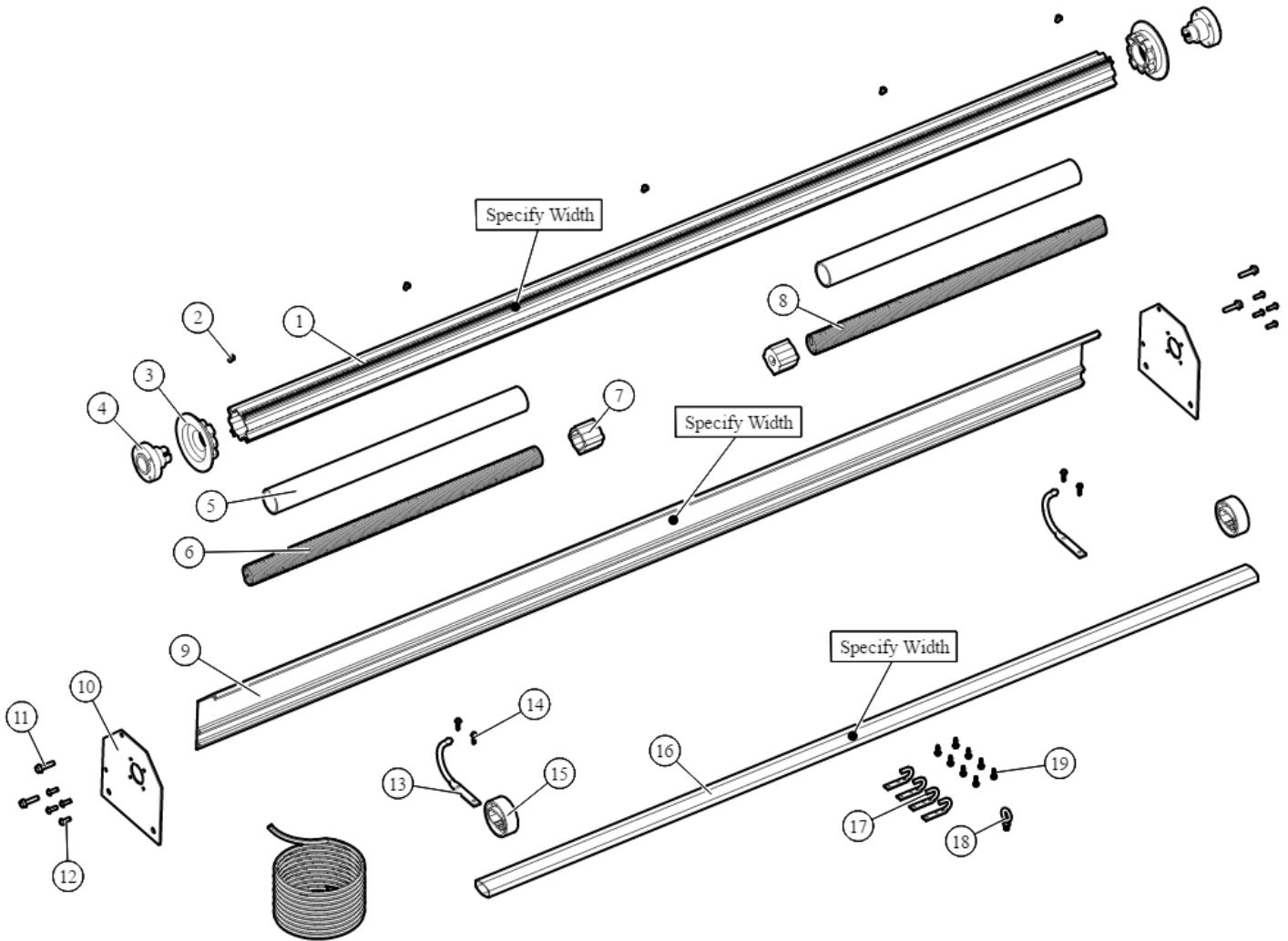
62XX Semi-Automatic, Tarp System for Light Trucks w/Tarp Wound Under the Axle (specify width)



Bom ID	Part#	Description	qty
1	62040	Axle.Tarp Axle Semi-Automatic 6200 Series - Specify Length -	1
2	18260	Bolt. 5/16" x 5/8" Button Head Bolt - Zinc Plated	5
3	62010	Bushing. End Bushing for Semi-Automatic 6200 Series - External	2
4	62000	Hub. Hub for Semi-Automatic 6200 Series	2
5	62090	Spring Sleeve. 2" PVC for Semi-Automatic 6200 Series	2
6	62130	Spring. Drivers Side Semi-Automatic 6200 Series (each)	1
7	62020	Spring Slide. Adapter Internal for Semi-Automatic 6200 Series	2
8	62030	Spring. Passenger for Semi-Automatic 6200 Series (each)	1
9	36500	Wind Deflector. Semi-Automatic 6200 Series - Specify Length	1
10	62100	Bracket. Tarp Brackets Semi-Automatic 6200 Series (Pair)	2
11	18120	Bolt. 3/8" x 1-1/2" Thread Cutting Screw Hex Washer Hd	4
12	18210	Bolt. 5/16" x 7/8" Button Head	8

13	62060	Hook. Large Tarp Bar	2
----	-------	----------------------	---

62XX Semi-Automatic, Tarp System for Light Trucks w/Tarp Wound Under the Axle (specify width)



Bom ID	Part#	Description	qty
14	18110	Bolt. 1/4" x 1" Self Drilling Hex Washer Head	4
15	76810	Tarp Flange for Bow Tube (Pair)	1
16	62080	Bow Tube. Rear Tarp Tube for Semi-Automatic 6200 Series (Specify...	1
17	62050	Hook. Small Rope	4
18	18236	Bolt. 3/8-16 x 1" Eye bolt Zinc W/Nut	1
19	18100	Bolt. 1/4 - 20 x 3/4" Type F Self Tapping	8