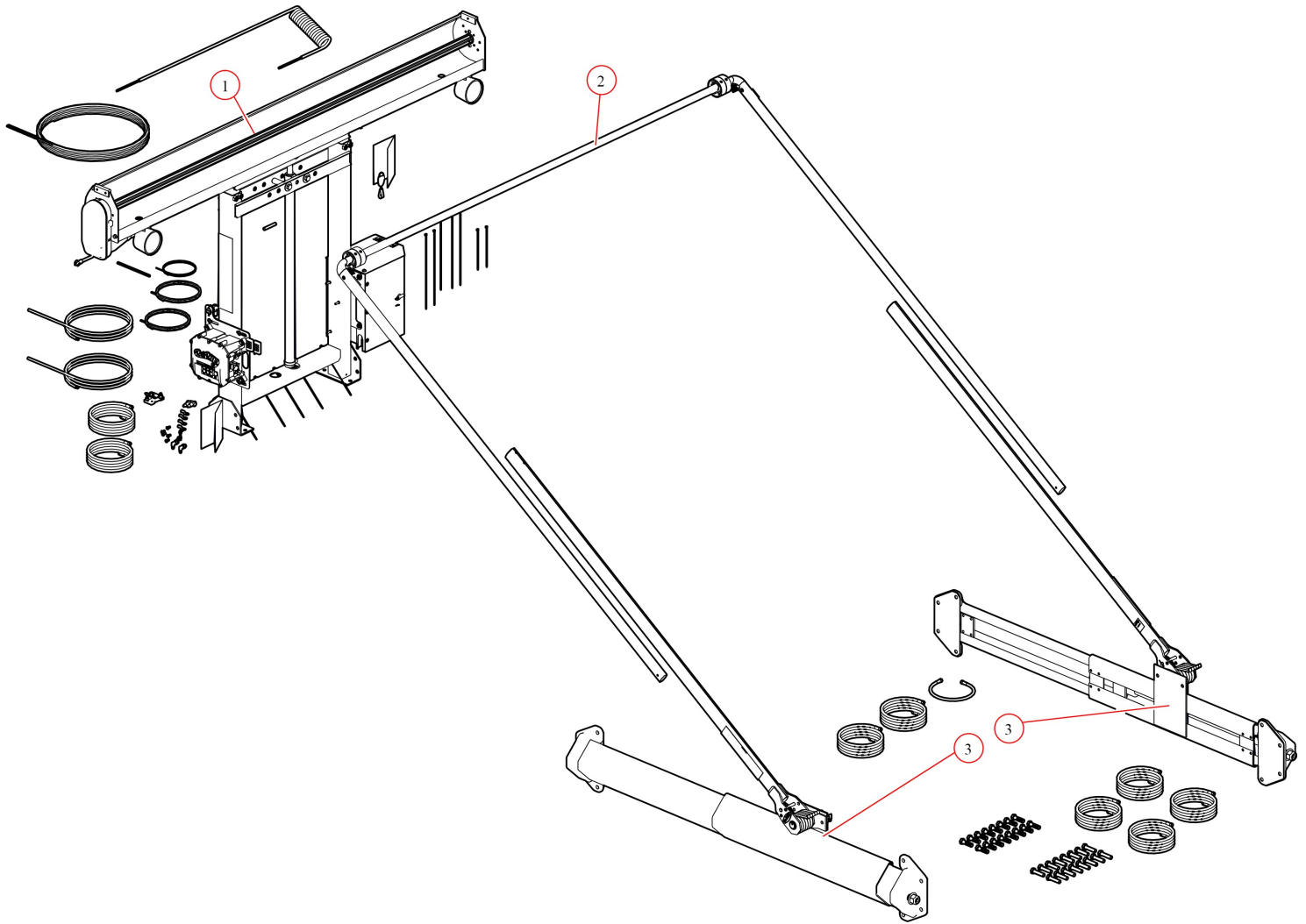


[DC302. SD Single Stage Tower. 5 Spring Vertical Sliding Pivot.](#)

[Wide bow Set](#)

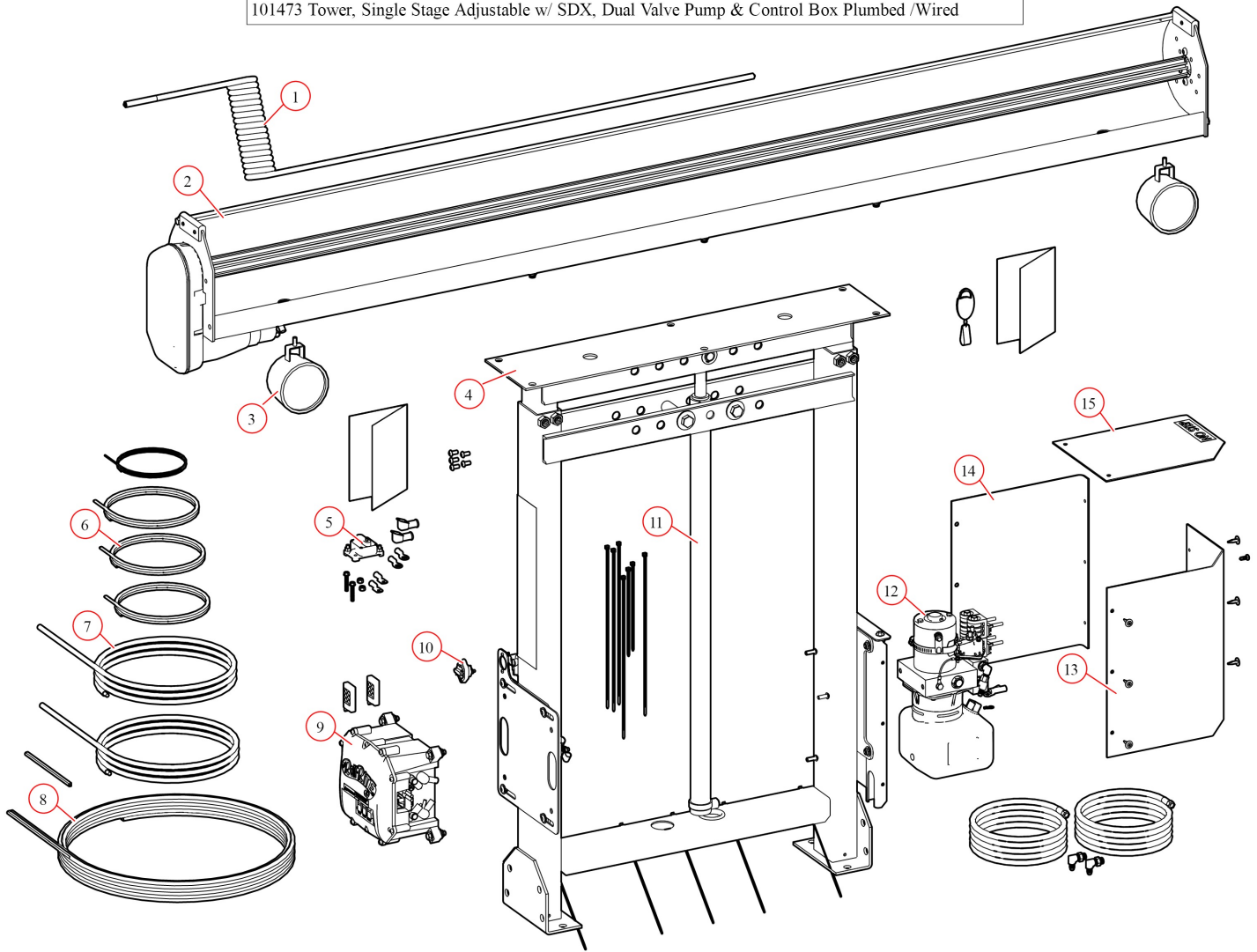
Part Number: 69302

69302 Tarp System, DC302 w/5 Spring Sliding External Pivot & Adjustable Tower



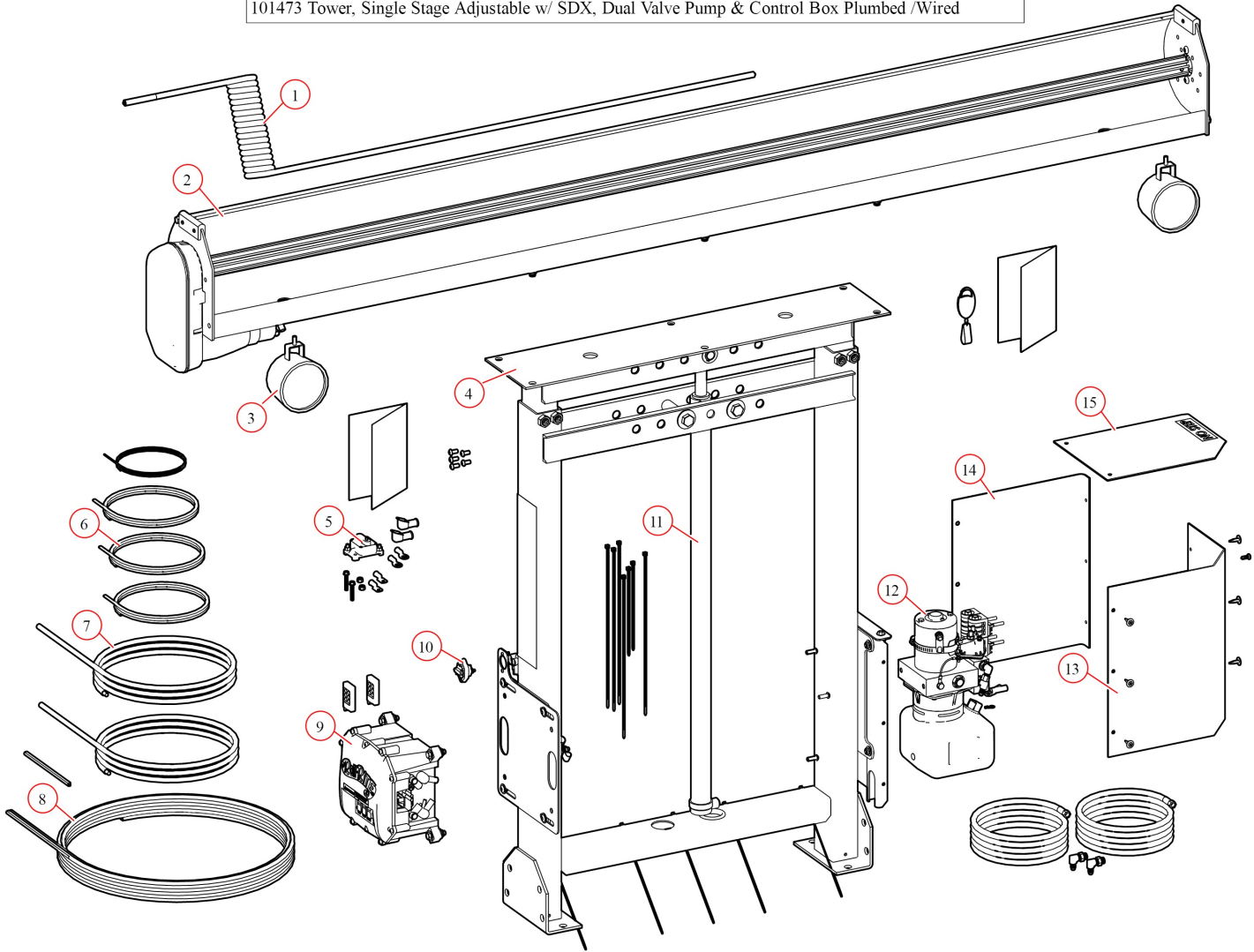
Bom ID	Part#	Description	qty
1	101473	Tarp System. Super Duty Single Stage Adjustable w/Dual Valve Pu...	
2	76720	Bow Set. 103 1/2" Wide Top Tube and 103 1/2" Side Arms	
3	47700	Pivot Set. 3ft Vertical Sliding 5 Spring Pivot Set	

101473 Tower, Single Stage Adjustable w/ SDX. Dual Valve Pump & Control Box Plumbed /Wired



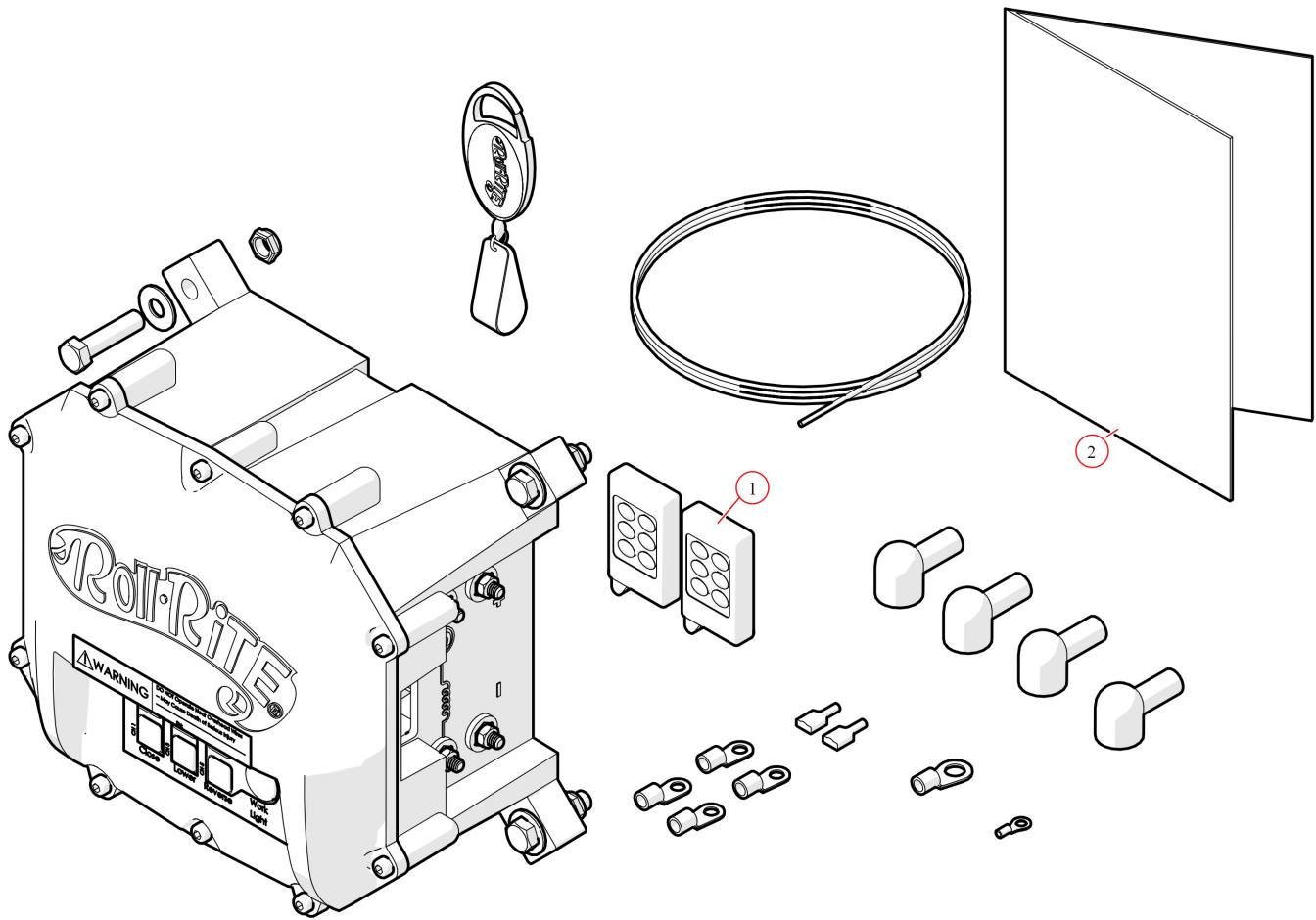
Bom ID	Part#	Description	qty
1	11328	Wire. 2 Stage Tower Coil 110" - Assembled	1
2	36479	Spool Kit. Super Duty Tarp Spool w/98" Integrated Housing	1
3	104103	Light. Work Light LED 12V	2
4	39004	Tower. Stationary Tower for Integrated Housing	1
5	17912	Breaker. 200 amp Manual Reset Breaker Kit for 12V pump	1
6	11345	Wire. 16 ga. 2-Conductor (per foot)	3
7	11350	Wire. 2 Ga. Single Conductor - (per foot) - Black	2
8	11330	Wire. 6 Ga. Dual Conductor - (per ft)	1
9	19865	Control Box. Wireless Black Control Box - 12/24V Waste	1
10	17918	Breaker. 35A Outdoor Manual Reset Circuit Breaker	1
11	39520	Cylinder. 1.5" Bore x 36" Stroke DA. Single Flange Mount	1
12	39616	Hydraulic Power Unit. 12V. 2 Valve	1
13	39615	PUMP COVER. POLY SIDE COVER FOR VERT MOUNT PUMP	1

101473 Tower, Single Stage Adjustable w/ SDX, Dual Valve Pump & Control Box Plumbed /Wired



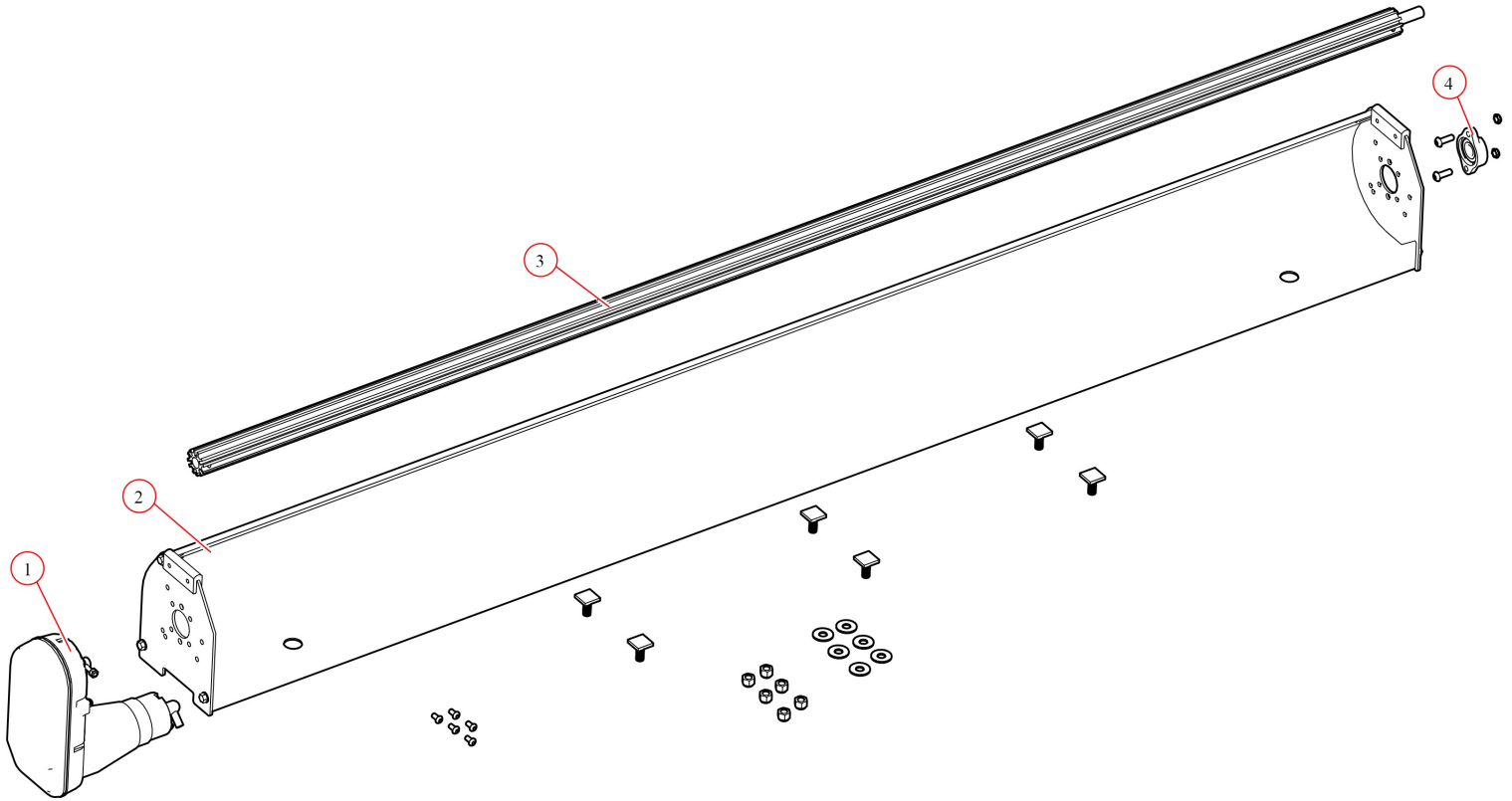
Bom ID	Part#	Description	qty
15	10778	Bracket. Steel Vert Pump Mount Cover	1

19865 Control Box, wireless Black Control Box for Waste, 12 V



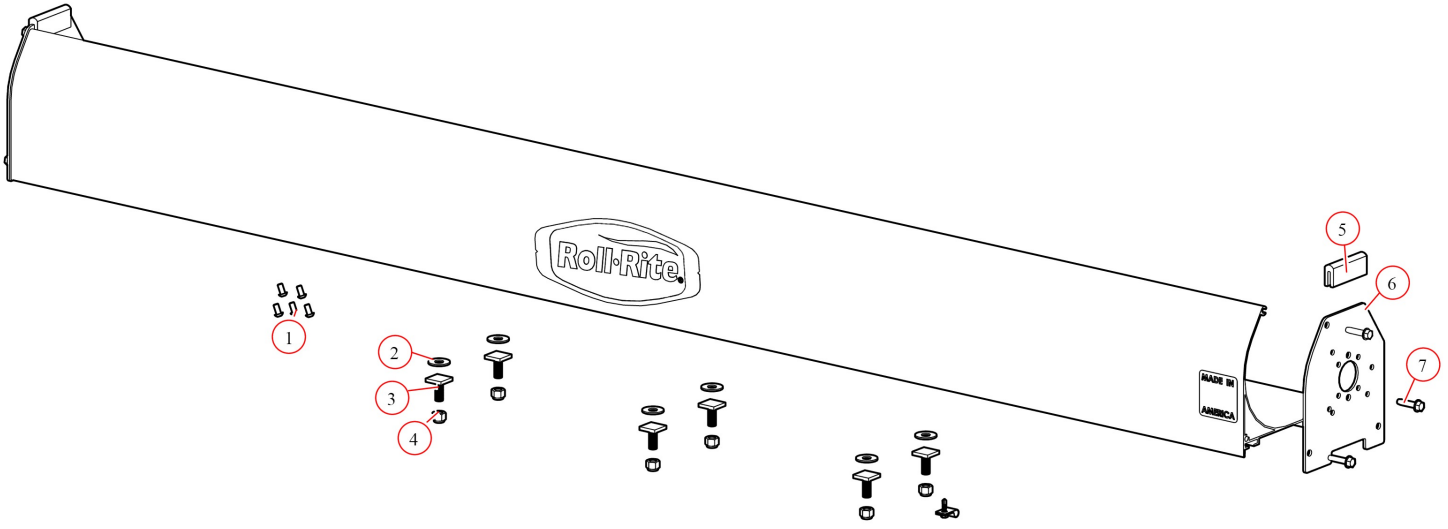
Bom ID	Part#	Description	qty
1	19801	RF Transmitter/FOB. 433MHz. Gen1 Motor Relay	2
2	101786	Instructions. Push button Control Box	1

36479 Spool Kit, Super Duty Tarp Spool w/98" Integrated Housing S/N: SDX



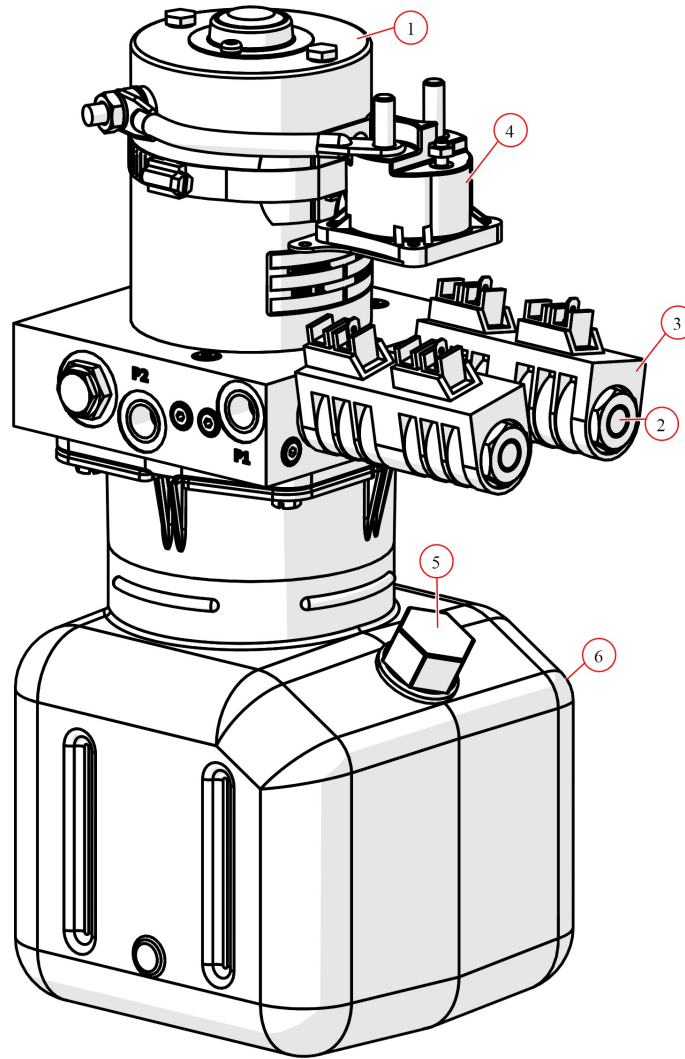
Bom ID	Part#	Description	qty
1	10122	Super Duty Motor 12V. 5 Year Warranty :S/N:	1
2	36164	Housing. Spool 98" Aluminum Integrated Housing	1
3	31030	Axle. 97" Pre-Threaded Tarp Axle w/Stub Shaft	1
4	31050	Bearing. 3/4" Flanged Axle Bearing with bolts	1

36164 Housing, Spool 98" Aluminum Integrated Housing

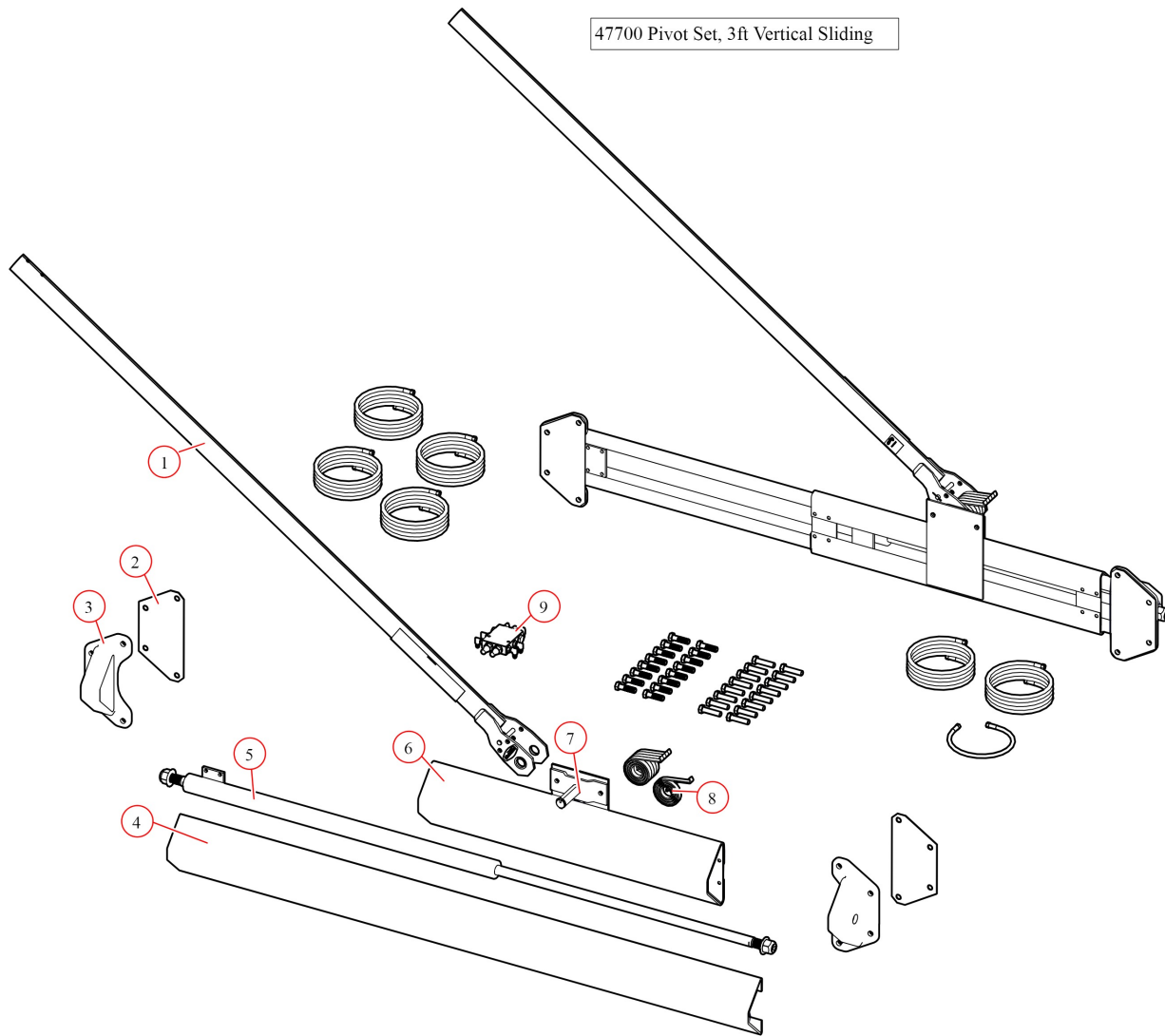


Bom ID	Part#	Description	qty
1	18260	Bolt. 5/16" x 5/8" Button Head Bolt - Zinc Plated	5
2	18412	Washer. 1/2" Flat Zinc	6
3	18245	Bolt. T-Bolt 1/2-13NCx1.75 for GAB	6
4	18631	Nut. 1/2" Nylock Nut	6
5	36300	Bumper. Rubber Bumper for Tarp Spool (each)	2
6	36331	Bracket. Int Housing Aluminum Endcaps - Drivers Side	2
7	18120	Bolt. 3/8" x 1-1/2" Thread Cutting Screw Hex Washer Hd	6

39616 Hydraulic Pump - MTE, 12v 2 Valve

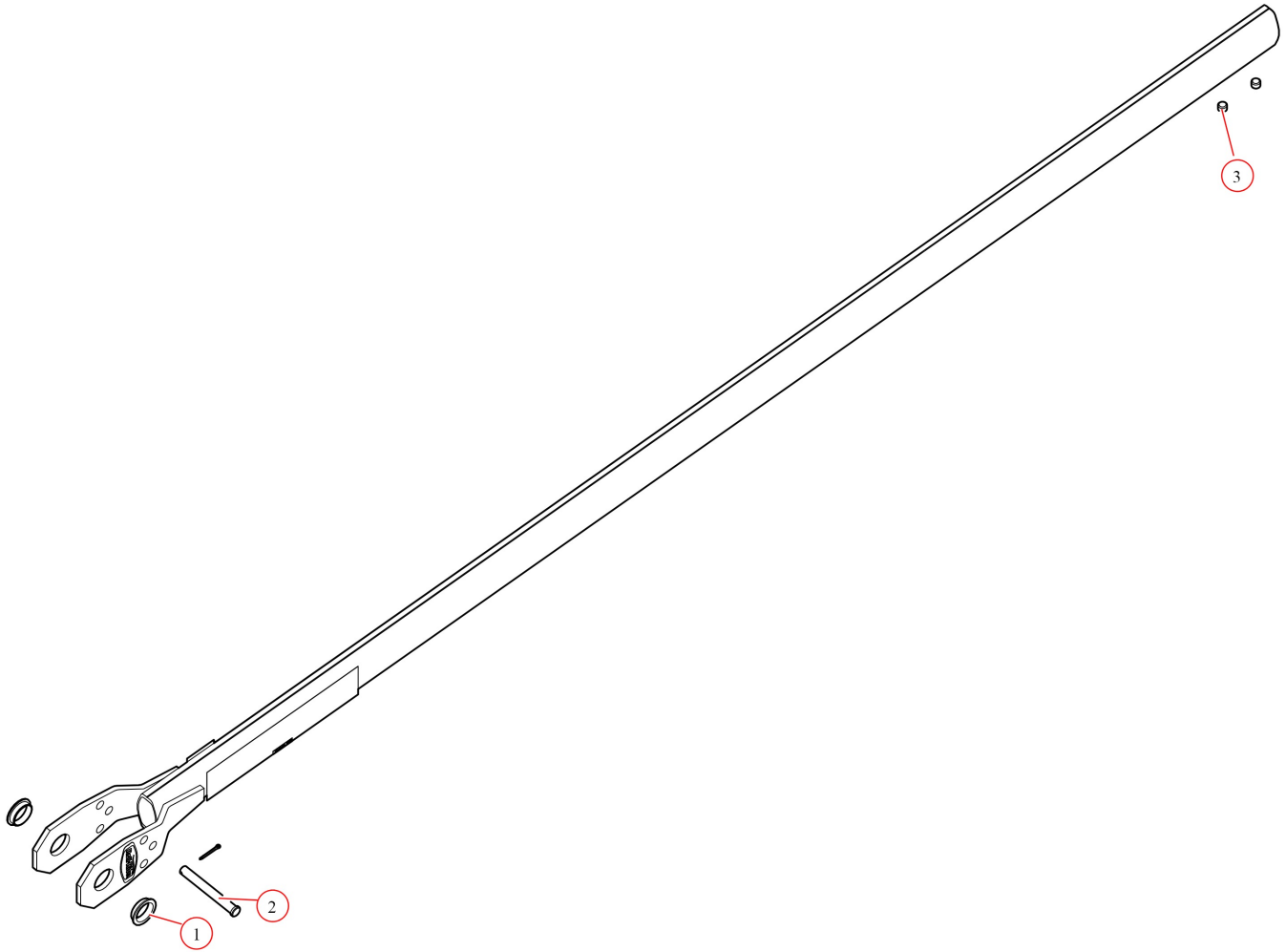


Bom ID	Part#	Description	qty
1	102832	Motor. Replacement Motor for Hydraulic Pump 12 V (39612 & 39712...	1
2	103412	Valve. 3P4W. Closed Center. MTE	2
3	102079	Solenoid. 12VDC Start Switch for Power Unit (39612 & 39712) MTE...	4
4	102078	Coil. 12VDC for Power Unit (39612 & 39712) MTE39002301	1
5	102073	Cap Kit (Cap and Rubber Grommet)	1
6	102074	Tank Kit. 1 Gallon MTE	1



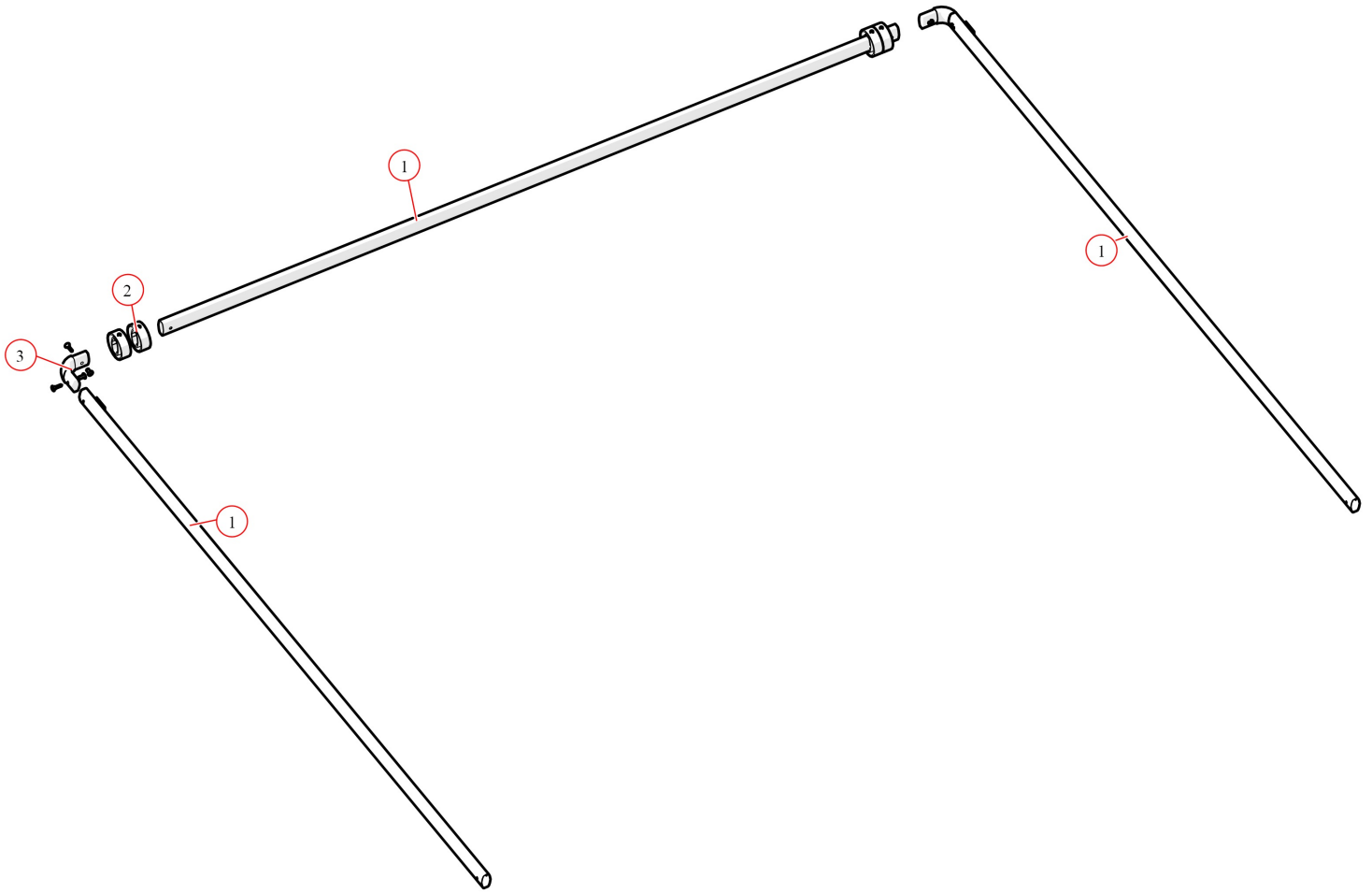
Bom ID	Part#	Description	qty
1	46150	Pivot Tube. w/ side plates. set screws for 5-spr ex	2
2	46752	Spacer. Triangular Sliding Pivot Plastic Tyvek Mount Spacer	4
3	46750	Bracket. Triangular Cast End Bracke for Sliding Pivot (Pair)	4
4	47820	Inner Extrusion. for 3' Sliding Pivot	2
5	47780	Cylinder. Hydraulic for 3' Sliding Pivot w/Hardware (each)	2
6	47761	Pivot. Sliding Pivot. Outer Extr w/ Pivot Mount for 3' Sld Pvt Ext 5 S...	2
7	45350	Pivot Pin. 5-Spring	2
8	47230	Spring. Spiral Torsion Spring 1 1/4"	10
9	39090	Manifold. Hydraulic Synchronizing	1

46150 Pivot Tube, w/ side plates, set screws for 5-spr ex



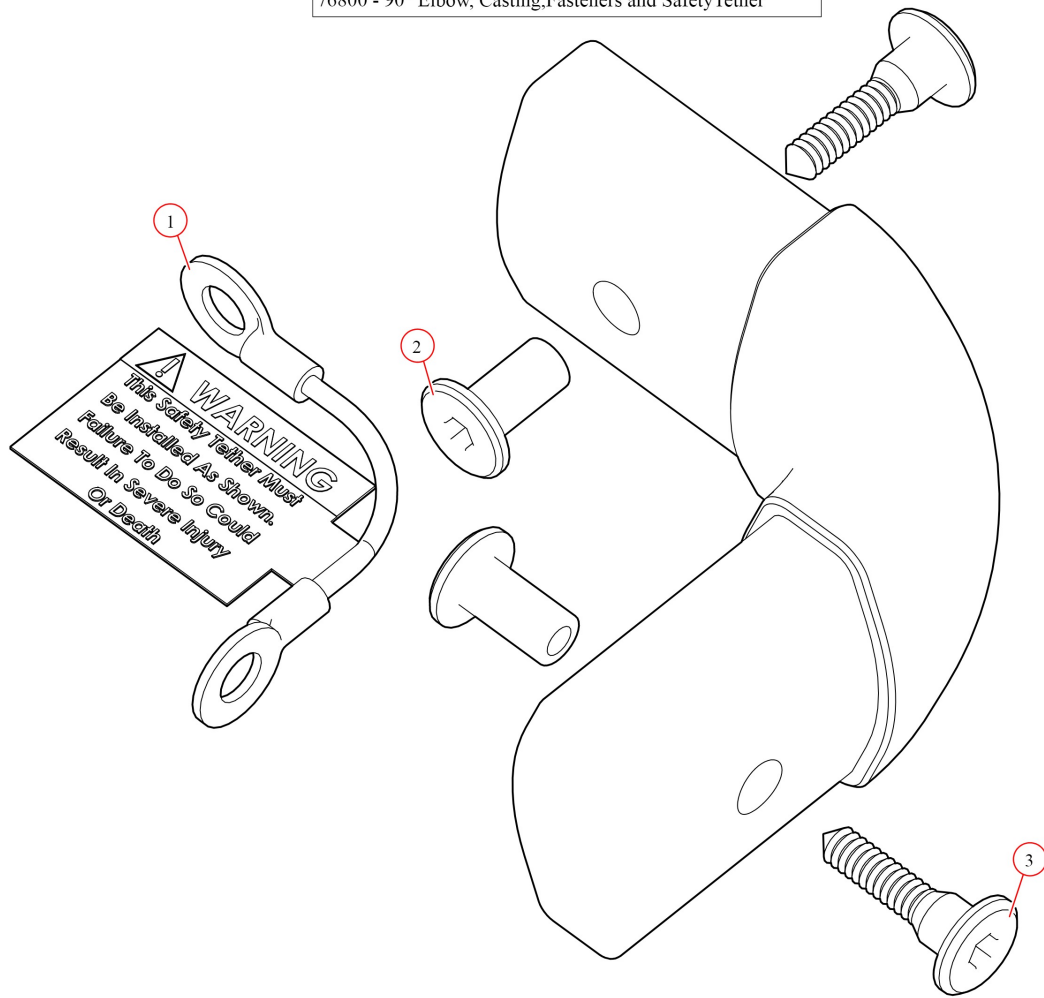
Bom ID	Part#	Description	qty
1	47040	Bushing. 1 1/4 Poly T- Bushing for Pivot Pin	2
2	18560	Pin. 1/2 x 4 1/8 Special Clevis	1
3	18293	Screw. 1/2" x 3/8" Set Screw	2

76720 Bow Set, 103 1/2" Wide Top Tube w/ 98" Bow Arms



Bom ID	Part#	Description	qty
1	76870	Bow Tube. 103 1/2" AL Wide Top Tube for Tarp Bow	3
2	76810	Tarp Flange for Bow Tube (Pair)	2
3	76800	Casting. Aluminum Corner - 90 Degree With Fasteners and Tether	2

76800 - 90° Elbow, Casting, Fasteners and Safety Tether



Bom ID	Part#	Description	qty
1	103533	Tether. Cable with Install Label for 90 degree corner	1
2	18719	Nut. 1/4-20 Cap Conn Nut Clear Zinc - Post bolt for 90 degree corne...	2
3	18718	Bolt. 1/4-20 x 1 3/16 Bolt Clear Zinc - Post bolt for 90 degree corners	2