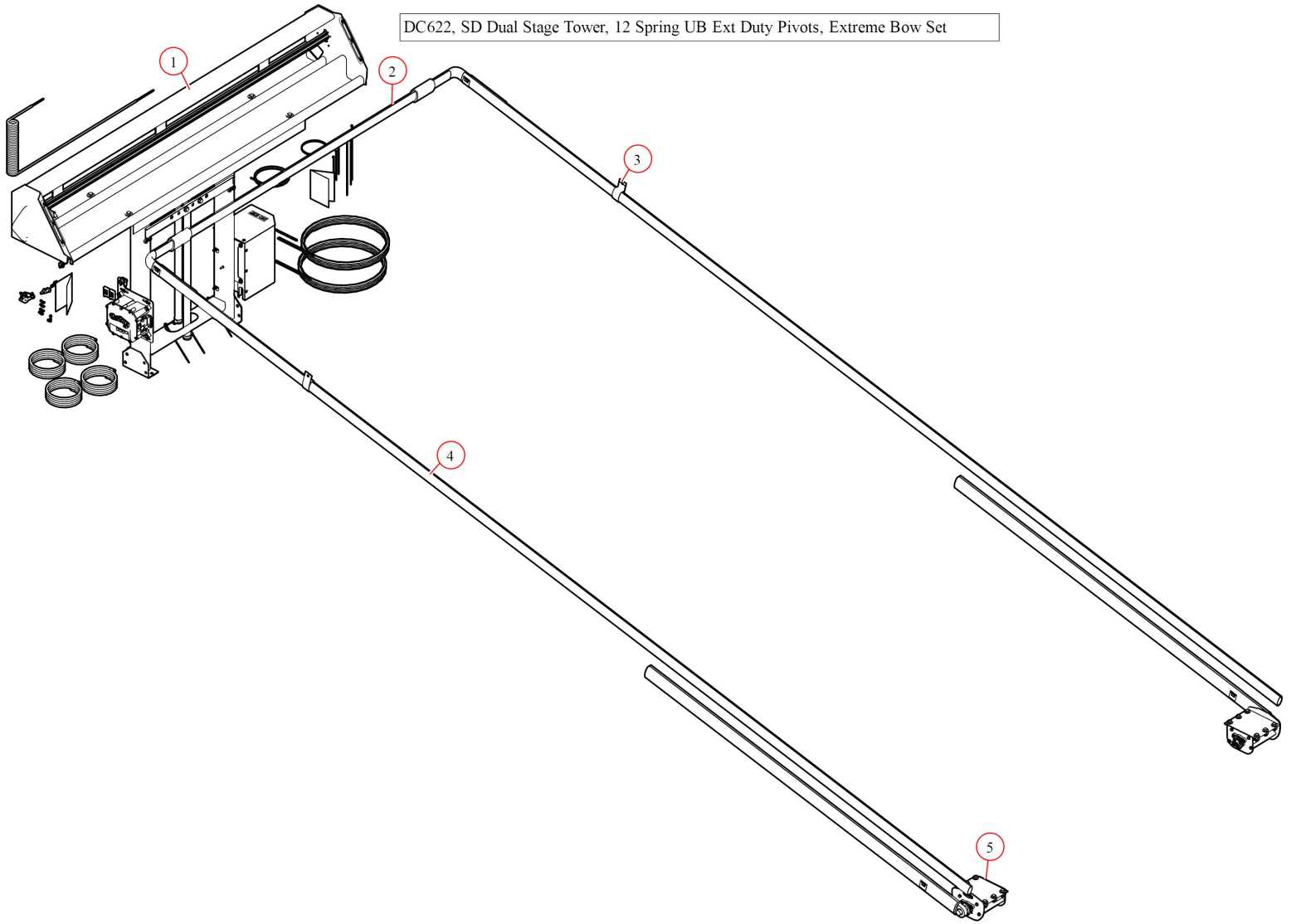


[DC622. SD Dual Stage Tower. 12 Spring 160" UB Ext Duty
Pivots. Extreme Bow Set](#)

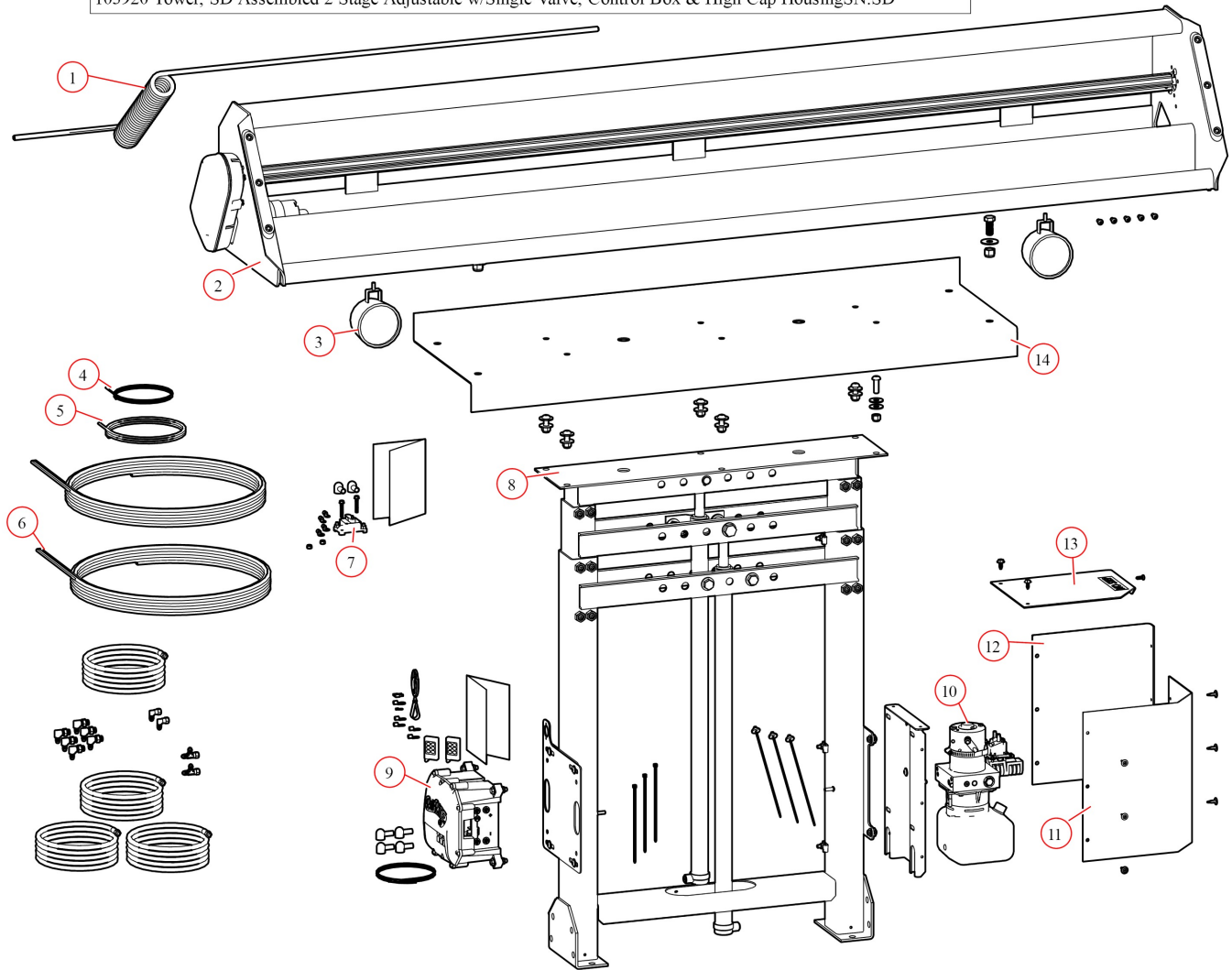
Part Number: 69622



DC622, SD Dual Stage Tower, 12 Spring UB Ext Duty Pivots, Extreme Bow Set

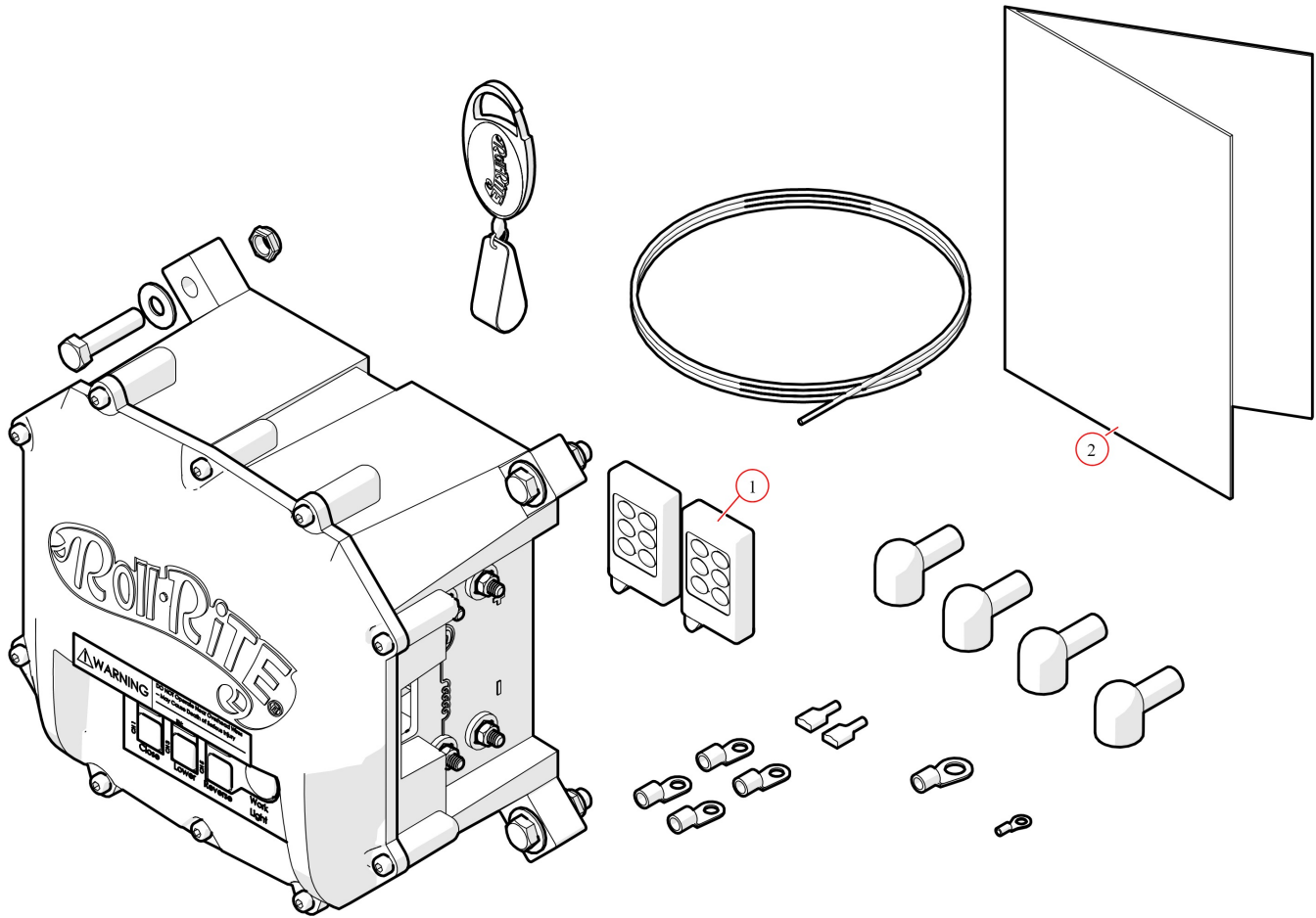
Bom ID	Part#	Description	qty
1	103920	Tower. SD Assembled 2 Stage Adjustable w/Single Valve. Control B...	1
2	76723	103 1/2" Wide Extreme Duty Top Tube Kit w/ Extreme Duty 90 Degr...	1
3	76831	Bracket. Pivot Arm Tie Down	2
4	46262	Pivot Tube. 22' w/ Set Screws	2
5	103096	Pivot Set. UB 12 Spring Ext Duty w/ Socket tubes	1

103920 Tower, SD Assembled 2 Stage Adjustable w/Single Valve, Control Box & High Cap HousingSN:SD



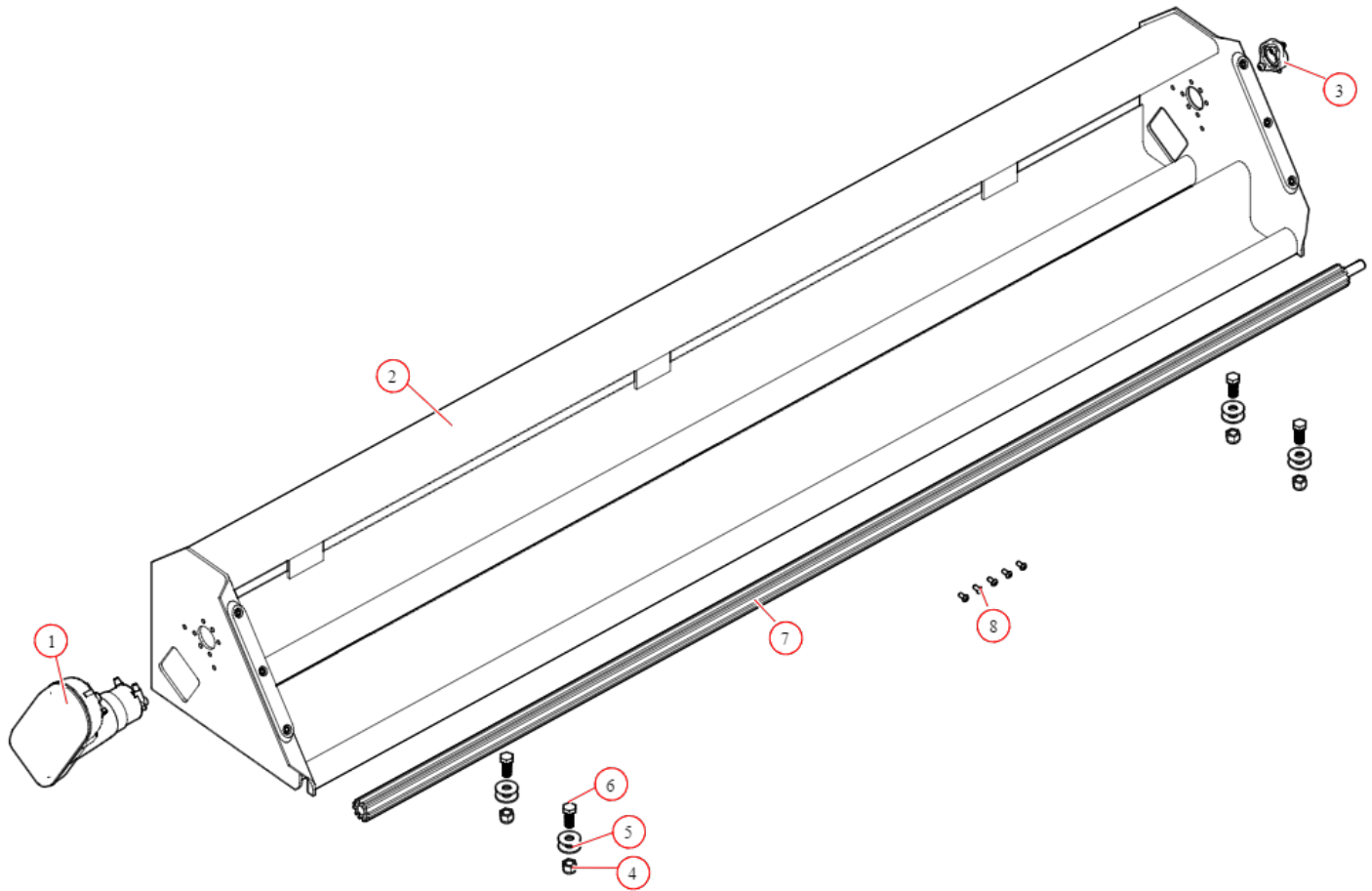
Bom ID	Part#	Description	qty
1	11328	Wire. 2 Stage Tower Coil 110" - Assembled	1
2	36052	Spool Kit. Super Duty High Capacity 104"	1
3	104103	Light. Work Light LED 12V	2
4	11347	Wire. 16 ga. Single-Conductor (per foot) (500/reel)	1
5	11345	Wire. 16 ga. 2-Conductor (per foot)	2
6	11330	Wire. 6 Ga. Dual Conductor - (per ft)	2
7	17913	Breaker. 100 amp Manual Reset Breaker Kit for 24V & 12V Integrate...	1
8	39005	Tower. Dual Stage Steel Tower w/Hydraulic. Cylinder for Integrated ...	1
9	19865	Control Box. Wireless Black Control Box - 12/24V Waste	1
10	39612	Hydraulic Power Unit. 12V. 1 Valve	1
11	39615	PUMP COVER. POLY SIDE COVER FOR VERT MOUNT PUMP	1
13	10778	Bracket. Steel Vert Pump Mount Cover	1
14	39033	Bracket. Steel Wing Mount for High Capacity Tarp Spool Housing	1

19865 Control Box, wireless Black Control Box for Waste, 12 V



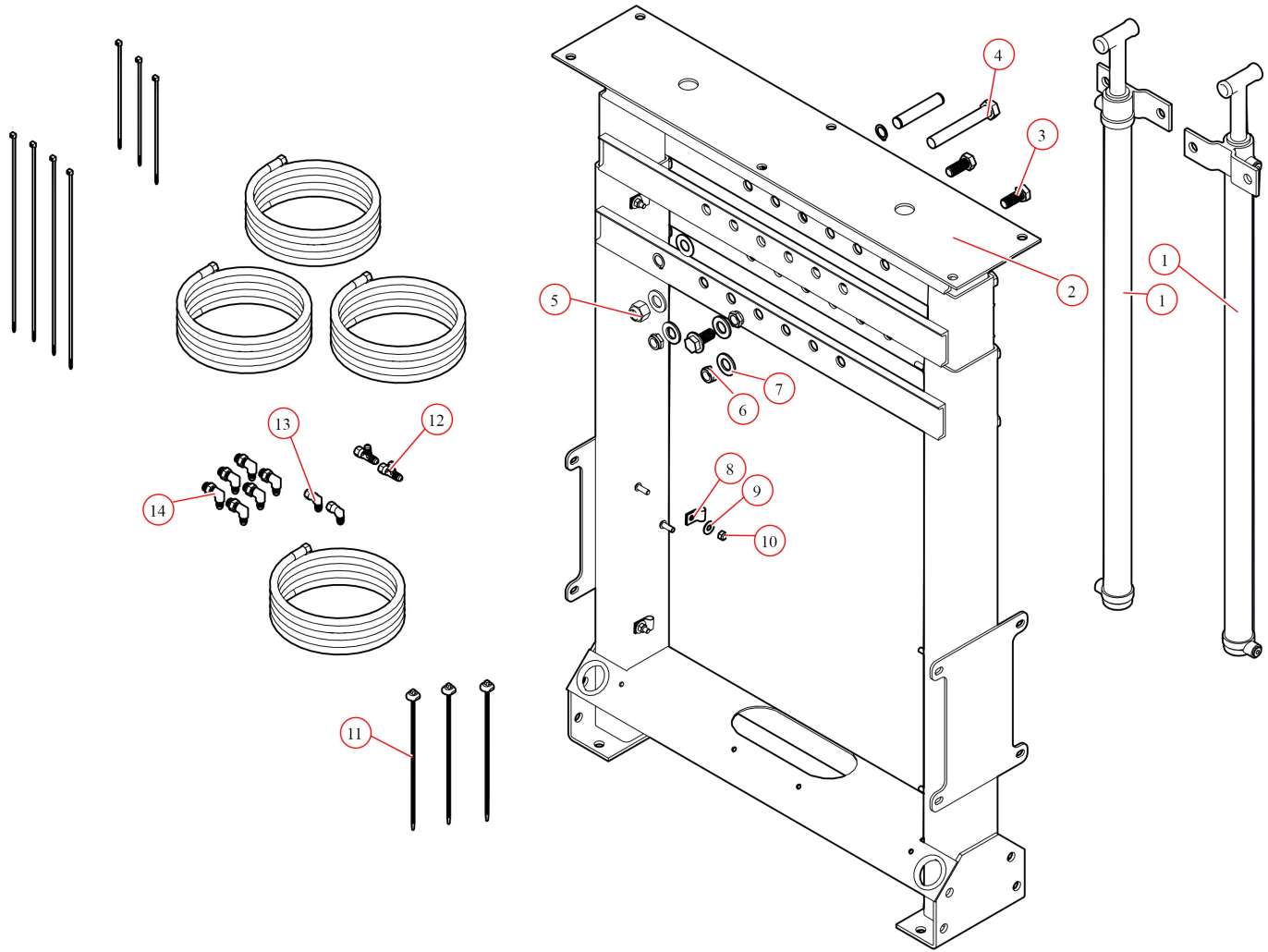
Bom ID	Part#	Description	qty
1	19801	RF Transmitter/FOB. 433MHz. Gen1 Motor Relay	2
2	101786	Instructions. Push button Control Box	1

36052 Spool Kit, Super Duty High Capacity 104"



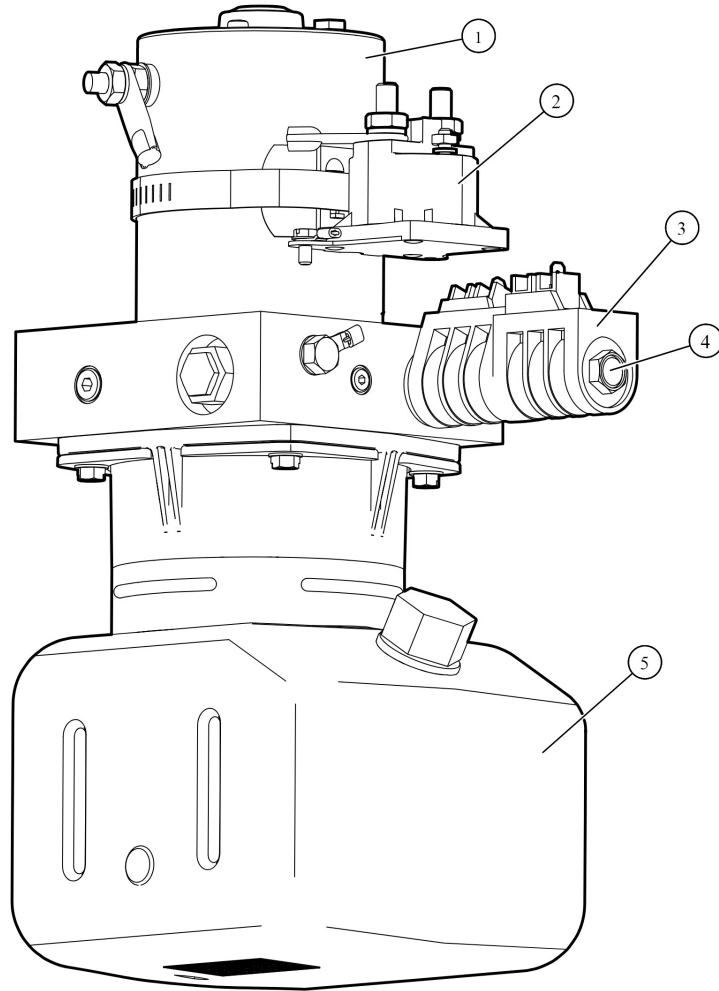
Bom ID	Part#	Description	qty
1	10122	Super Duty Motor 12V. 5 Year Warranty :S/N:	1
2	36172	Housing. 104" High Capacity Tarp Spool	1
3	31050	Bearing. 3/4" Flanged Axle Bearing with bolts	1
4	18635	Nut. 5/8" Nylock Nut	4
5	18414	Washer. 5/8" Flat Zinc	8
6	18710	Bolt. 5/8" x 1 1/2" Bolt Zinc	4
7	31040	Axle. 103" Pre-ThreadedTarp Axle w/Stub Shaft	1
8	18260	Bolt. 5/16" x 5/8" Button Head Bolt - Zinc Plated	5

39005 Tower, Dual Stage Adjustable Tower w/Hydraulic Cylinder - Integrated Housing



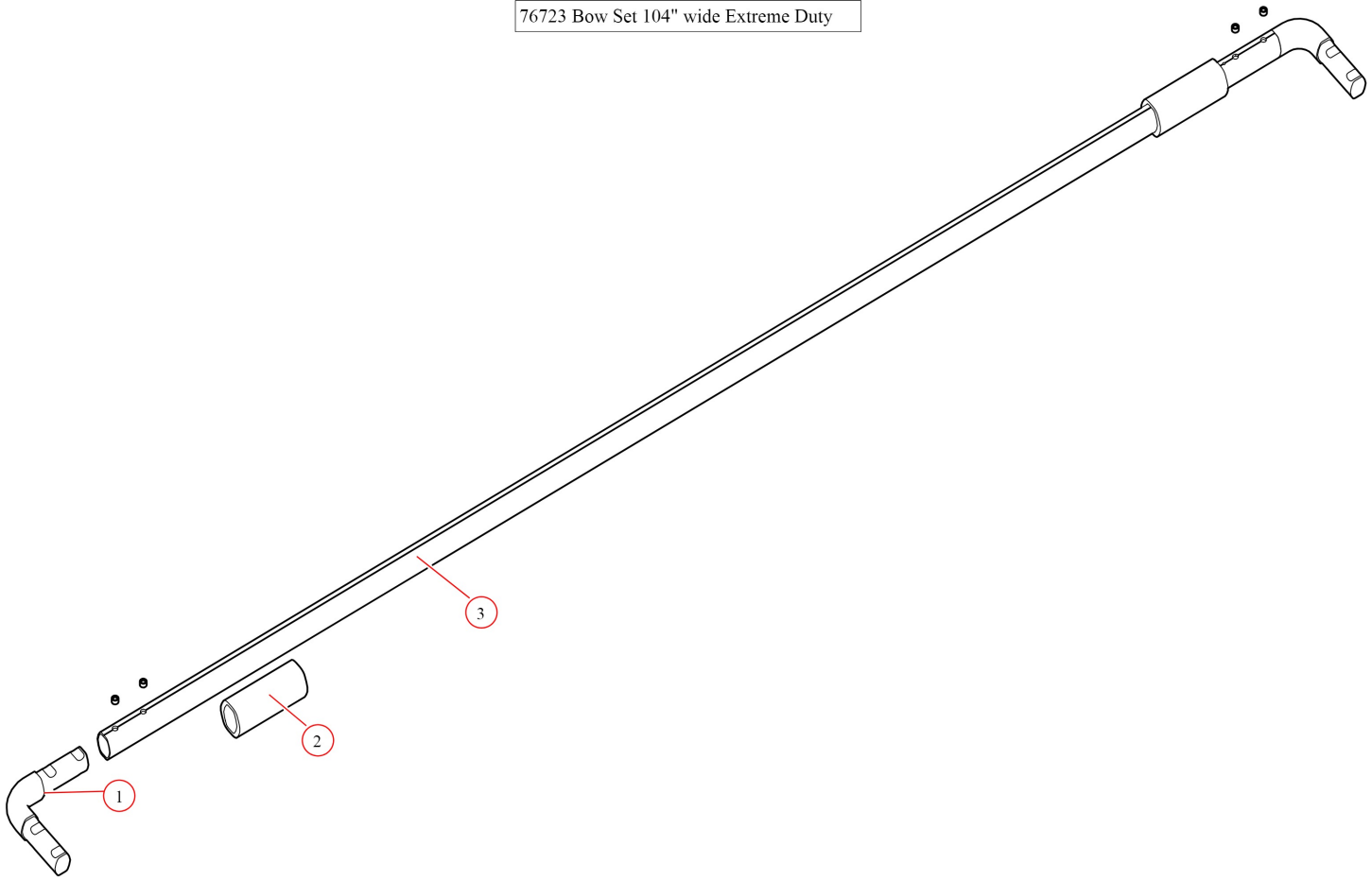
Bom ID	Part#	Description	qty
1	39520	Cylinder. 1.5" Bore x 36" Stroke DA. Single Flange Mount	2
2	101472	Tower. 2 Stage Tower for Int Housing - Stationary Dual stage	1
3	18710	Bolt. 5/8" x 1 1/2" Bolt Zinc	3
4	18721	Bolt. 3/4" x 5" Hex Head	1
5	18640	Nut. 3/4" Nylock Nut	1
6	18716	Nut. 5/8" Nylock Jamb Nut Zinc	3
7	18734	Washer. 3/4 Zinc SAE Washer	4
8	16345	Clamp. 1/2" Rubber Coated	1
9	18400	Washer. 5/16" USS Flat Zinc	3
10	18613	Nut. 5/16" Nylock Nut	3
11	39314	Adapter. Tee #4 Male Tube to #4 Female Swivel to #4 male Tube	2
12	39297	Adapter. 90 #4 Male tube to #4 37° female swivel	2
13	39098	Adapter. 90 #4 Male Tube to #6 Adj Male Oring	6

39612 Pump Assembly, 12V Hydraulic Pump w/Manifold & 1 Valve & Compact Tank



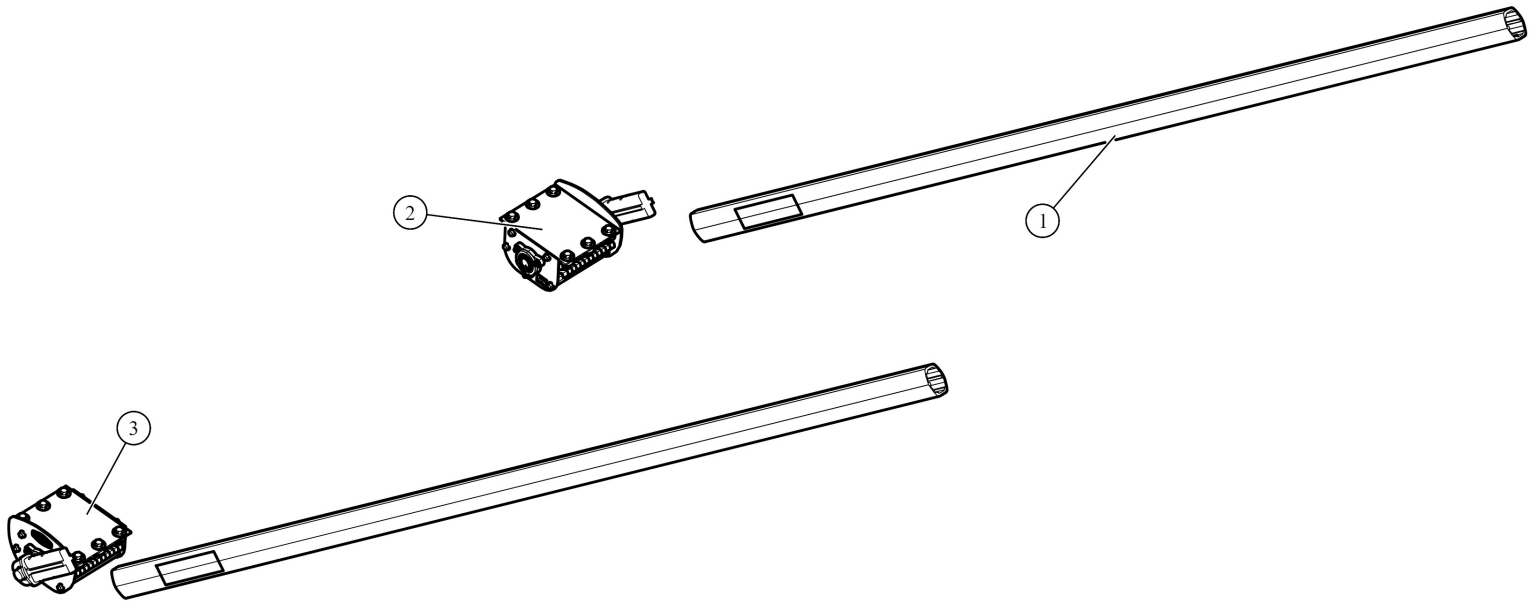
Bom ID	Part#	Description	qty
1	102832	Motor. Replacement Motor for Hydraulic Pump 12 V (39612 & 39712...	1
2	102079	Solenoid. 12VDC Start Switch for Power Unit (39612 & 39712) MTE...	1
3	102078	Coil. 12VDC for Power Unit (39612 & 39712) MTE39002301	2
4	102080	Valve. 3P4W Tandem Center Directional Power Unit (39612)MTE38...	1
5	102073	Cap Kit (Cap and Rubber Grommet)	1
6	102074	Tank Kit. 1 Gallon MTE	1

76723 Bow Set 104" wide Extreme Duty



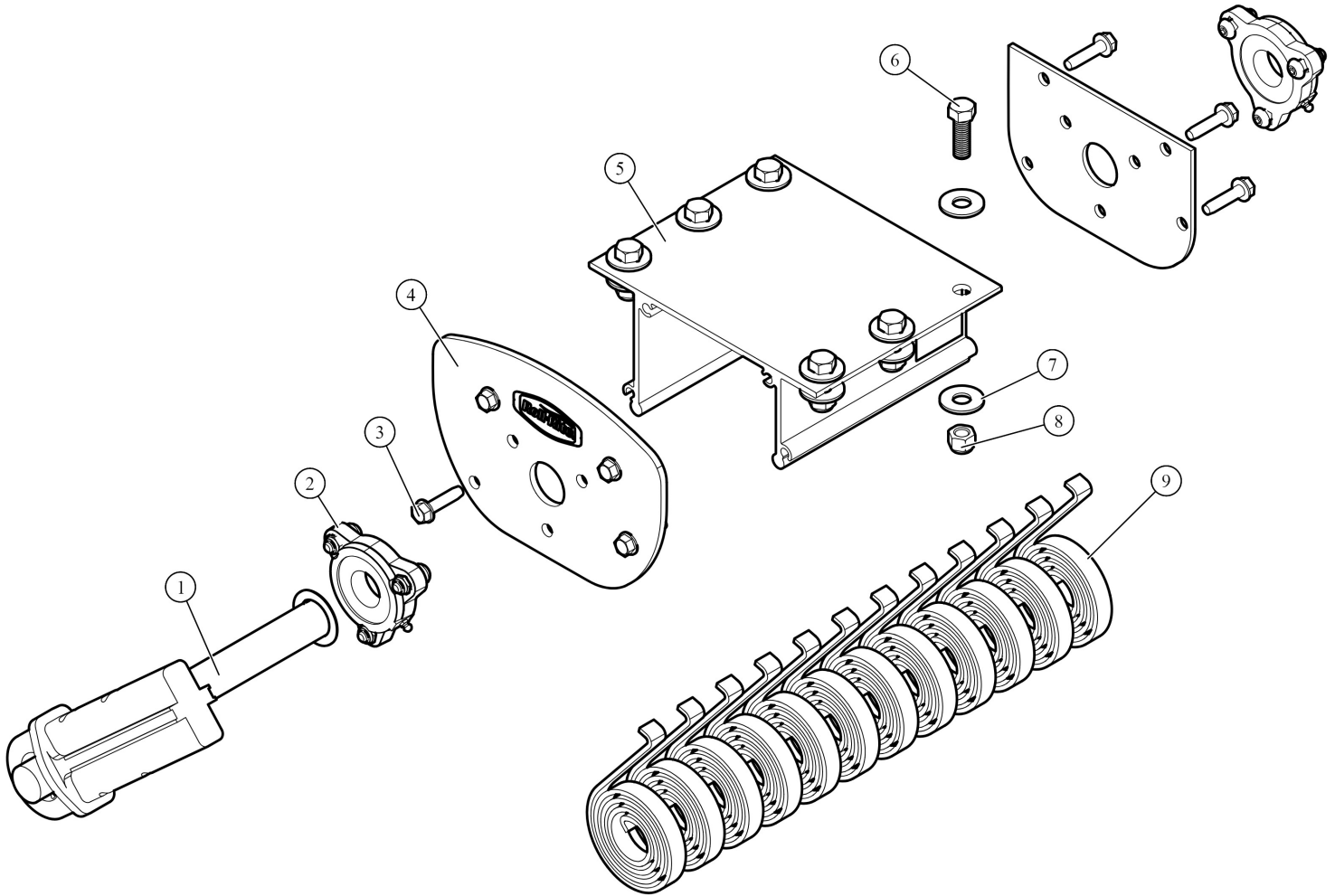
Bom ID	Part#	Description	qty
1	76805	Casting. Extreme Duty Corner - 90 Degree (each)	2
2	76814	Flange. Extreme Duty Tarp Centering Flange 6"	2
3	76875	Bow Tube. Extreme Duty "WIDE" Bow Top Tube (103")	1

103096 Pivot Set, UB 12 Spring Ext Duty w/ Socket tubes



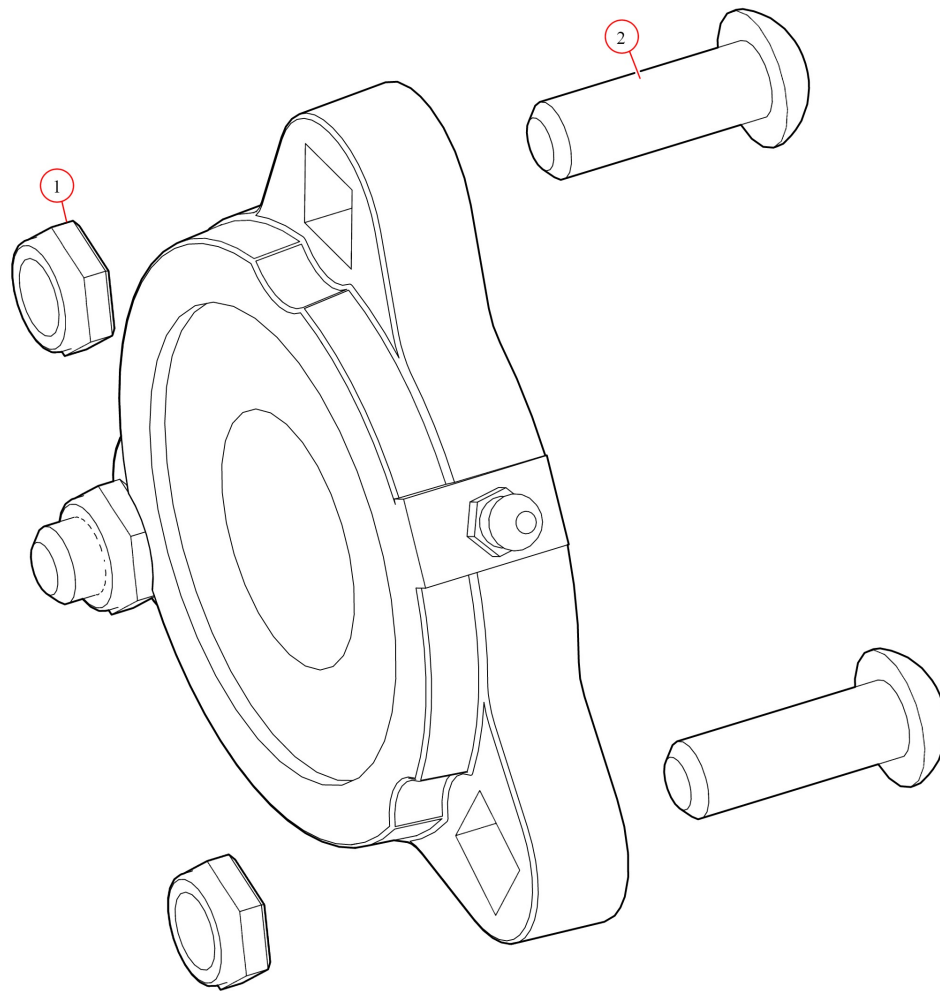
Bom ID	Part#	Description	qty
1	101188	Socket Tube (Drilled & Tapped - 160")	2
2	101011	Pivot. UB 12 Spring Extreme Duty w/out Tube Driver Side	1
3	101012	Pivot. UB Assembly 12 Spr Ext Duty w/o tube Pass Side	1

101011 Pivot, UB Assembled 12-Spr Ext Duty Drivers



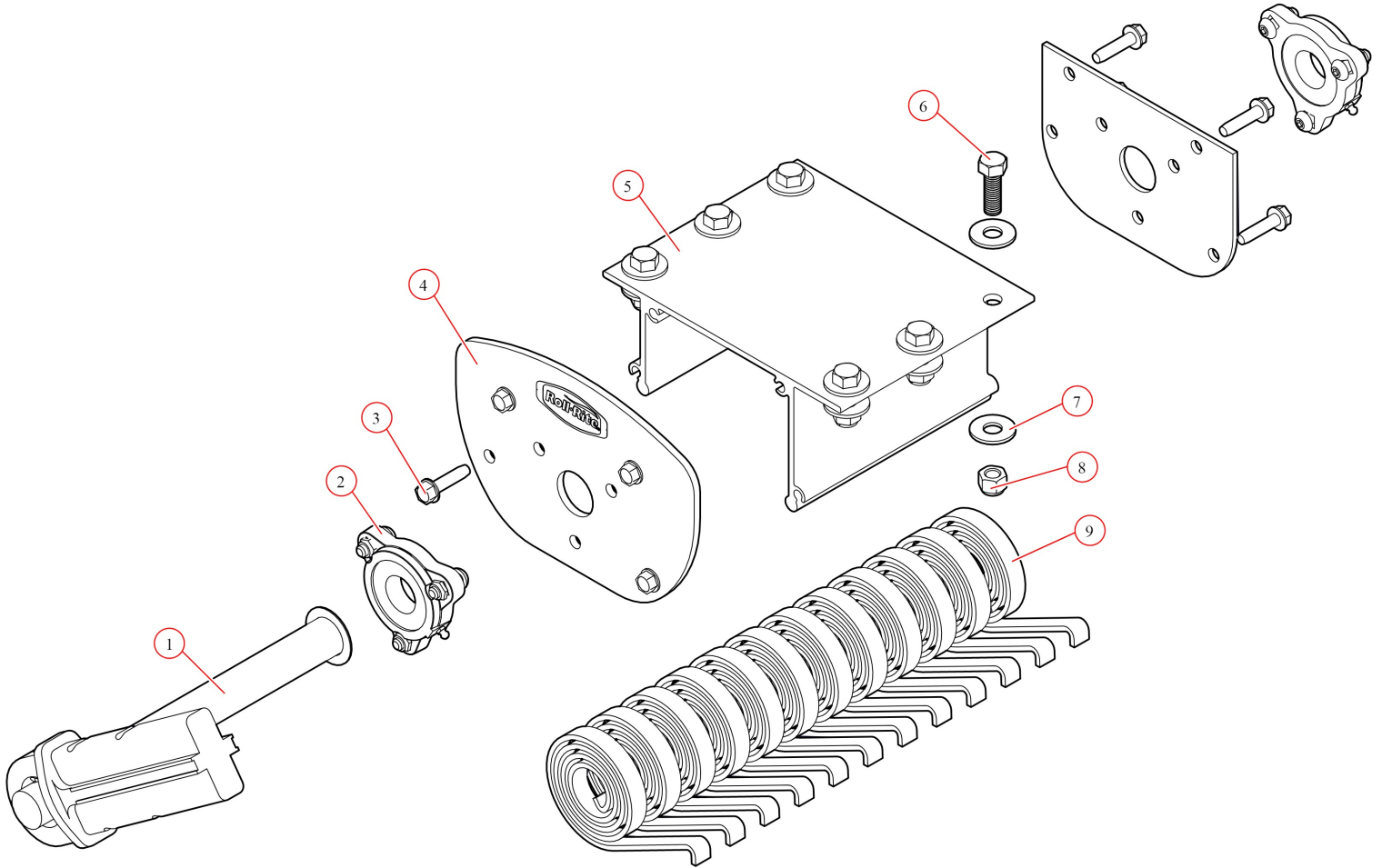
Bom ID	Part#	Description	qty
1	103914	Pivot Pin. for 12-Spring Ext Duty Roller Bearing - Driver	1
2	47800	Bearing. Carrier Underbody Flanged	2
3	18120	Bolt. 3/8" x 1-1/2" Thread Cutting Screw Hex Washer Hd	8
4	102349	Plate. Al Front for Ext Bolt Flange Mount UB Box	1
5	102580	Bracket. Ext Body with holes for 12 Spr UB Box	1
6	18296	Bolt. 1/2" x 1 1/2" Hex Head Bolt	6
7	18412	Washer. 1/2" Flat Zinc	12
8	18631	Nut. 1/2" Nylock Nut	6
9	47230	Spring. Spiral Torsion Spring 1 1/4"	12

47800 Bearing, Carrier Underbody Flanged



Bom ID	Part#	Description	qty
1	18628	Nut. Nylock nut 3/8" Jamb Nut	2
2	18242	Bolt. 3/8"-16 x 1 1/8" Button Head	2

101012 Pivot, UB Assembled 12-Spr Ext Duty Pass



Bom ID	Part#	Description	qty
1	103913	Pivot Pin. for 12-Spring Ext Duty Roller Bearing - Pass	1
2	47800	Bearing. Carrier Underbody Flanged	2
3	18120	Bolt. 3/8" x 1-1/2" Thread Cutting Screw Hex Washer Hd	8
4	102349	Plate. Al Front for Ext Bolt Flange Mount UB Box	1
5	102580	Bracket. Ext Body with holes for 12 Spr UB Box	1
6	18296	Bolt. 1/2" x 1 1/2" Hex Head Bolt	6
7	18412	Washer. 1/2" Flat Zinc	12
8	18631	Nut. 1/2" Nylock Nut	6
9	47230	Spring. Spiral Torsion Spring 1 1/4"	12