

Pull-Style Tarper

Quick & Easy Operation

- **Smooth Operating...** pull style tarping mechanism pulls out easily. Fast, spring powered retractable "window shade" roll-up increases your productivity on the job



Easy Spec Sheet

Please use inches for unit measurement.

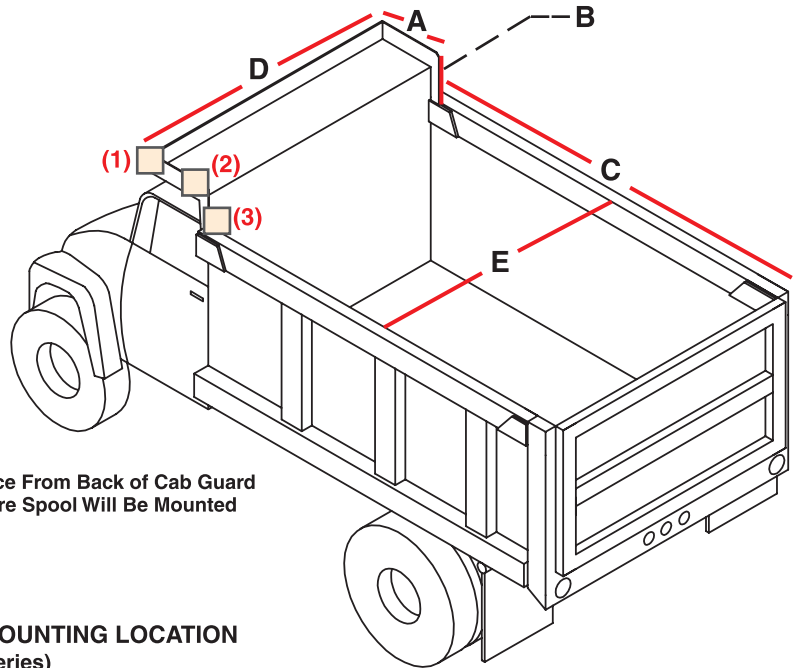
1. Mounting Location:

Check One Box To Show Mounted Spool Position :

- (1) Mounted on front of cab shield
- (2) Mounted on rear of cab shield
- (3) Mounted on to side rails

2. Required Truck Measurements:

- _____ = (A) Cab Guard Length -OR- Distance From Back of Cab Guard to Where Spool Will Be Mounted
- _____ = (B) Cab Guard Rise
- _____ = (C) Box Length
- _____ = (D1, D2, D3) Outside Width Of MOUNTING LOCATION (From 66 to 96 inches for for 62xx Series)



3. Tarp Measurements:

- _____ = Width (Generally should be slightly less than (E) Box Width)
- _____ = Length Calculate Length = _____ + _____ + _____ + 24" (2 ft)
- (A) (B) (C)
- _____ Specify Roll-Rite® Tarp Fabric by Part Number: See back page.

4. System Spec: Please Indicate the Part Number For Your System Below.

- 62 _____ D= Width of Mounting Location (from 66 to 96 inches as specified above)
- (D)