

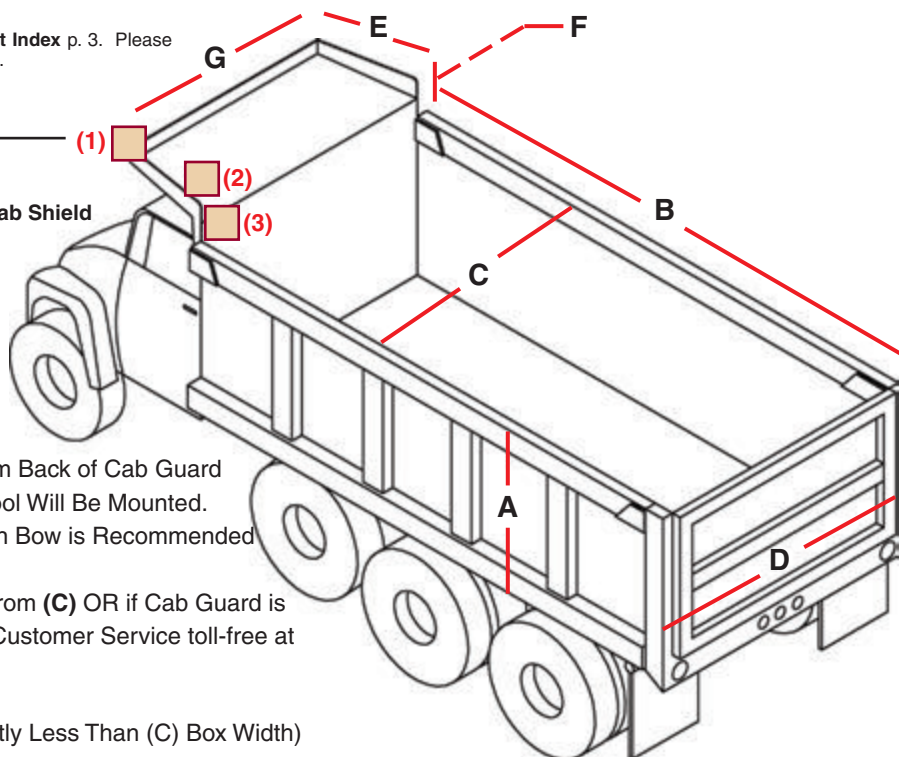
Easy Spec & Order Sheet

Please use inches for unit measurement.
Part numbers start on page numbers shown in the **Component Index** p. 3. Please read each Component section for important **Fit Considerations**.

Spool Position:

Check One Box To Show Mounted Spool Position :

- (1) Front of Cab Shield
- (2) Rear Positioned on Top of Cab Shield
- (3) Forward Positioned on Box Top/Behind Cab Shield



Box: _____ " (A) Height
 _____ " (B) Length
 _____ " (C) Width (inside)
 _____ " (D) Outside Width of Widest Point
 —If Tailgate is Over 100"

Cab Shield: _____ " (E) Length —OR— Distance From Back of Cab Guard to Where Spool Will Be Mounted.
 _____ " (F) Rise: —If 8" or More, Tension Bow is Recommended
 _____ " (G) Front Width
 **If Width Varies Considerably from (C) OR if Cab Guard is Tapered, Please Call Roll-Rite Customer Service toll-free at 1-800-297-9905

Tarp Size: _____ " Width (Generally Should Be Slightly Less Than (C) Box Width)

(Required*) _____ " Length = _____ + _____ + _____ + 24" (2 feet)
 (B) (E) (F)

Pivot Springs: **Spring Capacity:** Our Super Duty 500 Tarp Systems use 5-spring pivots for trucks using:
 Up to 28 feet of mesh tarp —OR— 26 feet of solid tarp.
Please Note: All Solid Tarp Fabrics Should Be Tied Down.

Super Duty 500 Series Tarp Systems:

See p. 4 to determine if a Super Duty Tarp System package will fit your application.

System: _____ **A. Roll-Rite Super Duty Tarp System (p. 4)**
 Part #
 _____ **B. Roll-Rite Tarp Selection (specify by part number)**
 Part # To ensure accuracy, orders for custom tarps (flapped, etc.) must be accompanied by an approved drawing.

OR Select by Component: _____ **1. Select a Tarp Spool: see p. 6**
 Part #
 _____ **2. Select a Pivot Set: see p. 7**
 Part #
 _____ **3. Select a Bow Set: see p. 8**
 Part #
 _____ **4. Roll-Rite Tarp Selection: see p. 10-11 (specify by part number)**
 Part # To ensure accuracy, orders for custom tarps (flapped, etc.) must be accompanied by an approved drawing.

Add-Ons: _____ **Options/Recommendations:** _____ 30° or 45° Tarp Bow Offsets (p. 8) _____ 10620 Contact Plates (p. 11)
 Part # Part # Part #