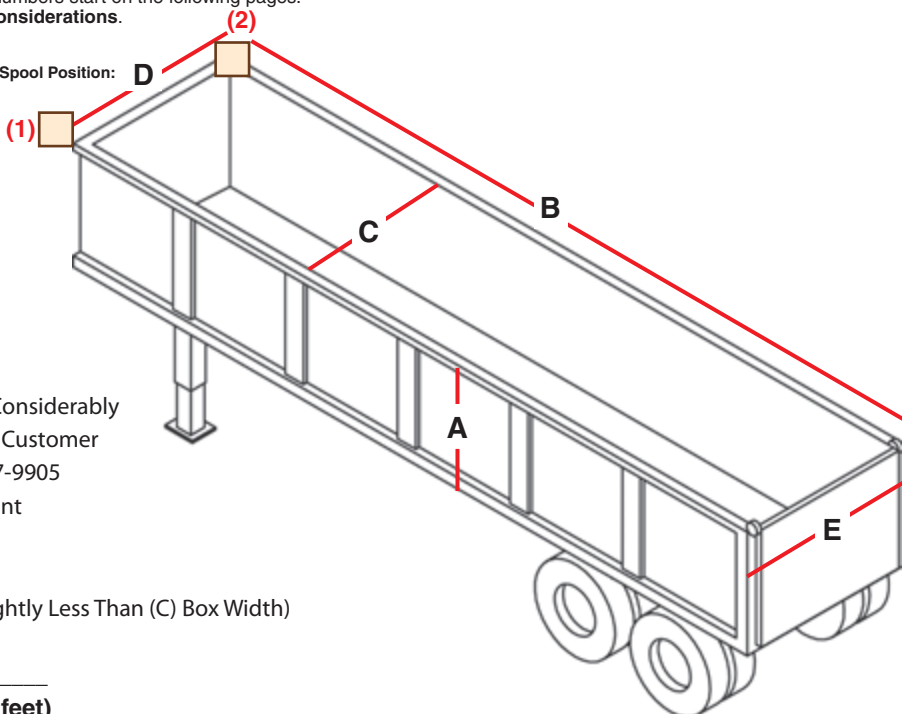


# Easy Spec & Order Sheet

Please use inches for unit measurement. Part numbers start on the following pages. Please read each Component section for important **Fit Considerations**.

**Spool Position:** Check One Box To Show Mounted Spool Position:

(1) Forward of Trailer —OR— (2) Top of Trailer



Box: \_\_\_\_\_ " (A) Height

\_\_\_\_\_ " (B) Length

\_\_\_\_\_ " (C) Inside Width

\_\_\_\_\_ " (D) Front Mounting Width

\*\*If Mounting Width Varies Considerably from (C) Please Call Roll-Rite Customer Service toll-free at 1-800-297-9905

\_\_\_\_\_ " (E) Outside Width of Widest Point  
—If Tailgate is Over 100"

Tarp Size: \_\_\_\_\_ " Width (Generally Should Be Slightly Less Than (C) Box Width)

(Required) \_\_\_\_\_ " Length = \_\_\_\_\_ + \_\_\_\_\_  
(B) 24" (2 feet)

Pivot Springs:

**Determining Spring Capacity:**

Above tarp length calculation and your tarp material determines the number of springs your system requires.

**Super Duty Series Tarp Systems:**

See p. 4-5 to determine if a Super Duty Tarp System package will fit your application.

System: \_\_\_\_\_ **A. Roll-Rite Super Duty Tarp System (p. 4)**

Part # \_\_\_\_\_

\_\_\_\_\_ **B. Roll-Rite Tarp Selection see p. 5 (specify by part number)**

Part # \_\_\_\_\_ To ensure accuracy, orders for custom tarps (flapped, etc.) must be accompanied by an approved drawing.

OR Select by Component:

\_\_\_\_\_ **1. Select a Tarp Spool: see p. 7**

Part # \_\_\_\_\_

\_\_\_\_\_ **2. Select a Pivot Set: see p. 8 or 9**

Part # \_\_\_\_\_

\_\_\_\_\_ **3. Select a Bow Set: see p. 8**

Part # \_\_\_\_\_

\_\_\_\_\_ **4. Roll-Rite Tarp Selection: see p. 5 (specify by part number)**

Part # \_\_\_\_\_ To ensure accuracy, orders for custom tarps (flapped, etc.) must be accompanied by an approved drawing.

General Aggregate (Mesh) Tarp Applications												
22ft	24ft	26ft	28ft	30ft	32ft	34ft	36ft	38ft	40ft	42ft	44ft	46ft
5-Spring												
60" Knuckle Pivot												
6-Spring												
84" Knuckle Pivot												
8-Spring												

Asphalt (Solid) Tarp Applications				
22ft	24ft	26ft	28ft	30ft
5-Spring				
6-Spring				

If you occasionally haul asphalt and plan to change your tarp, we highly recommend using the chart for asphalt tarps.

**Accessories: Please check or specify quantity of sets to order**

\_\_\_\_\_ 76660 Bow Centering Wedges (p. 8)      \_\_\_\_\_ 46950 Bow Stop Brackets (p. 8)      \_\_\_\_\_ 12760 SureFlex Plug Set (p. 9)

\_\_\_\_\_ 10620 Contact Plates (p. 9)      \_\_\_\_\_ 101729 and 101259 Amp Sensing Relay and 50-amp Breaker for One-Touch (p. 9)

**Roll-Rite® — Clearly the Best.**  
**1-800-297-9905**

**Fax: 1-888-827-7329**