

Belly Dump/Live Bottom Trailer...

Spec Sheet (Flowboys, etc.)

Please use inches for unit measurement.

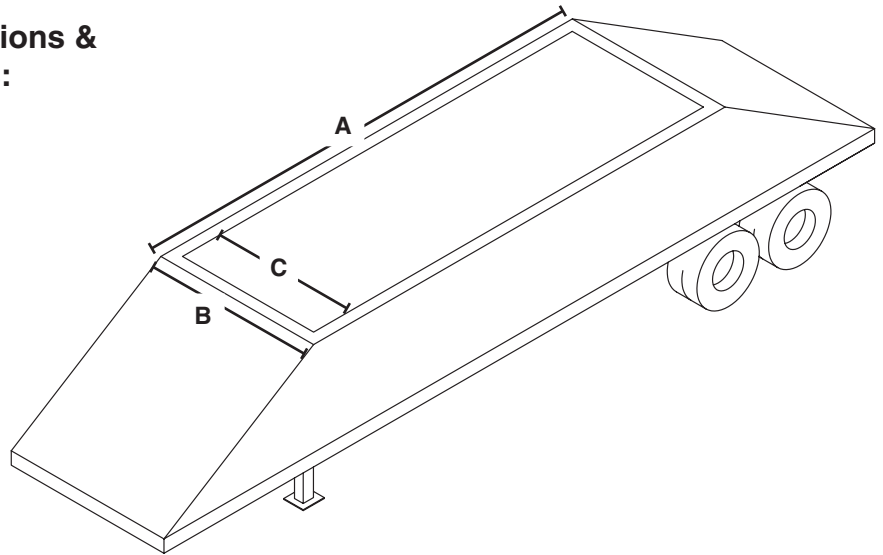
A. Critical Application Considerations & Required Trailer Measurements:

_____ Make of Trailer

_____ = (A) Overall Length

_____ = (B) Outside Width

_____ = (C) Inside Width



Are you retro-fitting a hand crank system?

Yes No

— If Yes, do you have lock rail on the trailer?

Yes No

Do you want Roll-Rite® flexible bows or are you using other bows?

Roll-Rite® Other

Do you want a dual arm (front and rear) or front single arm only?

Front Dual

If single arm would you like a Roll-Rite® Rear Tarp Return or other?

Roll-Rite® Other

Does your application require a Mesh or Vinyl tarp?

Mesh Vinyl

If Mesh, what type of load are you hauling? _____

Do you need any of the following?

- Plug Set
- Coil Cord
- Wireless Remote Control
- Outdoor Mounted Switch
- Front & Rear Caps